



Red•Dot® weatherproof boxes & covers

Contents

Overview page	2
Weatherproof metallic in use covers	3–6
Weatherproof non-metallic in use covers	7–8
Weatherproof metallic boxes	9–12
Weatherproof metallic covers	13–16
Weatherproof non-metallic boxes	17
Weatherproof non-metallic covers	18–19
Weatherproof metallic round boxes	20
Weatherproof metallic round covers	21–23
Weatherproof metallic lampholders	24–26
Weatherproof landscape lighting	27–41
Vaportight lighting	42–47
Swimming pool and spa products	48
Weatherproof non-metallic decking products	49
Stainless steel in use covers	50–51
Catalog number index	IDX-1-IDX-2

Overview

Weatherproof boxes, covers and lighting products

Weatherproof boxes, covers and lighting products

The industry's preferred choice for more than 50 years—Red•Dot® Weatherproof Boxes and Covers withstand the harshest elements and ensure trouble-free installation and performance.



Boxes

Red•Dot® boxes are made from durable die-cast aluminum and available in single- and double-gang rectangular as well as round configurations—with a variety of hub sizes to meet all needs.



Lighting

Red•Dot® has a complete lighting package for both general purpose outdoor lighting as well as decorative garden lights. All lighting products run off line voltage, providing more flexibility and brighter lighting than low-voltage or solar-powered sets, plus no additional transformers are required.



While-in-use

Red•Dot® offers a wide variety of both metallic and non-metallic while-in-use covers. All of these covers help ensure that you meet the requirements of the National Electrical Code®.



Merchandisers

With your choice of various stock displays or a customized display to fit your needs, Red•Dot® makes it easy to increase your counter sales.



Covers

Red•Dot® die-cast flip-lid weatherproof covers protect any outdoor receptacle from the elements. Constructed from rugged die-cast zinc, these covers will last a lifetime. A full line of non-metallic covers is also available.



NEC and National Electrical Code are registered trademarks of the National Fire Protection Association, Inc.

Weatherproof metallic covers

Wet or dry, all outlets can go undercover with Code Keeper®

Code Keeper® weatherproof covers

Code Keeper® while-in-use applications

Weatherproof Covers are required by the National Electrical Code® anyplace where water may come in contact with electrical outlets when a plug is in use. Code Keeper® covers are also ideal anywhere to prevent accidental disconnects, reduce tampering and to provide a lockable cover that meets OSHA requirements.

Suggested applications:



Residential—holiday and landscape lighting, wells and sump pumps, sprinkler systems, plug-in timers, garages, patios.



Commercial—vending machines, car washes, outdoor signs, restaurant kitchens, greenhouses and nurseries, marinas, garages, lumberyards.



Industrial—manufacturing areas, food processing, water treatment plants, security cameras, laboratories, wash-down areas, loading docks.



Recreational—pools and spas, parks, playgrounds, zoos, RV connections, athletic fields, ball parks, stadiums, outdoor stages, amphitheaters, golf courses.

National Electrical Code® Section 406.9(B):

(1) 15- and 20-Ampere, 125- and 250-Volt receptacles installed outdoors in a wet location shall have an enclosure that is weatherproof whether or not the attachment plug cap is inserted.



The electrical code is the reason you need a wet-location cover, but the reasons to buy Code Keeper® covers are simple: aluminum construction, easy installation with instructions in English, Spanish and French, and a lifetime warranty from a manufacturer that has defined reliability in electrical construction materials for more than half of a century.

Cover the code with protection that lasts a lifetime with Code Keeper® covers.

The National Electrical Code® requires you to cover outdoor or other wet-location receptacles any time they are in use to ensure the safety of anyone who may come in contact with them.

Code Keeper® covers are corrosion-resistant, aluminum wet-location covers that meet the requirements of the National Electrical Code® and are backed by a lifetime warranty.

Red•Dot® Code Keeper® wet-location cover is NEMA 3R Rated, UL Listed and CSA Certified and meets all the requirements of NEC® Section 406.9(B). Code Keeper® covers are rugged, corrosion-resistant metal construction that provide long-lasting durability and are not subject to cracking or breaking. Made with the same Red•Dot® quality that contractors know and trust. Code Keeper® covers offer a lifetime of use and safety.

NEC and National Electrical Code are registered trademarks of the National Fire Protection Association, Inc.

Weatherproof metallic covers

Code Keeper® metallic while-in-use covers

Applications:

- Protects receptacles, switches and plugs for single-gang and two-gang configurations in dry and wet locations
- Provides a lockable cover that complies with OSHA lockout/tagout requirements
- Prevents accidental equipment disconnects, reduces tampering and deters theft and equipment removal

Features/Benefits:

- Alloy A360 copper-free* aluminum provides increased corrosion resistance
- Die-cast, metal construction provides long-lasting durability
- NEMA 3R Rating ensures protection against falling rain, sleet and external ice formation when used with appropriate device boxes
- Clear UL® and CSA markings speed approval by inspectors
- Wide range of cover depths and receptacle configurations accommodate almost every common plug and cord size when combined with included adapter plates
- Combination box or device mounting design provides flexibility in installation

Standard materials:

- Covers and plates: Die-cast aluminum alloy A360 with less than .004 copper content (copper-free)
- Gaskets: Closed-cell foam

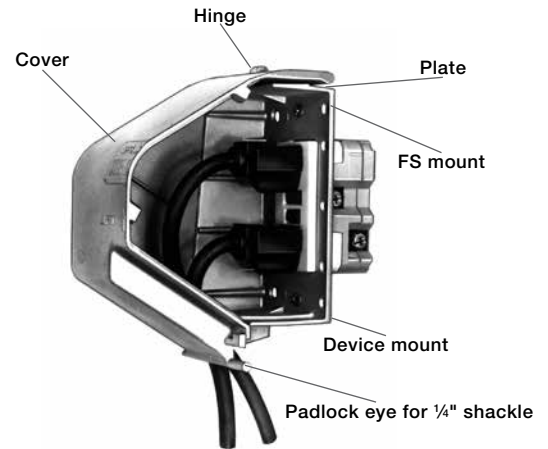
Standard finish:

- Powder-coated finish

Compliances:

- NEC® Section 406.9(B)
- UL® Listed
- CSA Certified

NEC and National Electrical Code are registered trademarks of the National Fire Protection Association, Inc.



Sample specifications:

- Code Keeper® covers shall comply with NEC® Section 406.9(B) and be die-cast copper-free* aluminum alloy A360. Covers shall be finished powder-coated paint.
- Red•Dot® Catalog No. _____

*Less than .004 copper content.

All 15- and 20-ampere, 125- and 250-volt receptacles installed outdoors in a wet location must have an enclosure that is weatherproof whether or not the attachment plug is inserted.

Code-Keeper® is required by the National Electrical Code® Section 406.9(B) for unattended in-use plugs in wet locations.

- Die-cast A360 aluminum alloy (less than .004% copper content)
- NEMA 3R Rating
- Clear UL® and CSA markings
- Wide range of cover depths and receptacle configurations
- Sturdy lockable cover tab complies with OSHA lockout/tagout requirements
- Combination box- or device-mount design (for most styles)
- Powder-coated finish
- “Extra-Duty” per NEC® Section 406.9(B)(1)



CKSUV

Single-gang
small vertical



CKMU

Single-gang
medium horizontal



CKMUV

Single-gang
medium vertical



CKLSVU

Single-gang
large vertical



2CKU

Two-gang

Weatherproof metallic covers

Code Keeper® metallic while-in-use covers—single gang

“Extra-Duty” per NEC® Section 406.9(B)(1)

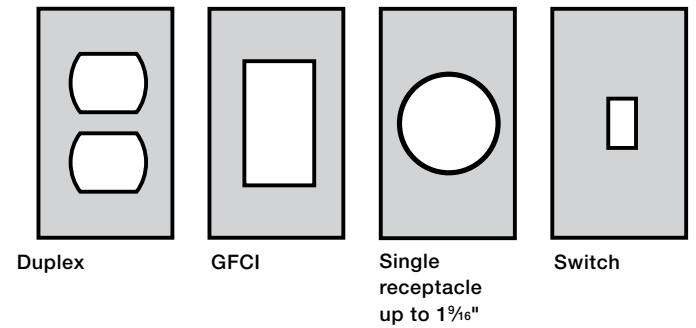
CKSUV—Small vertical cover, 2¼" internal depth



Cat. No.	Color	Std. ctn.
CKSUV	Silver	8

Note: Covers packed with gasket and screws.

Use for any of these configurations:



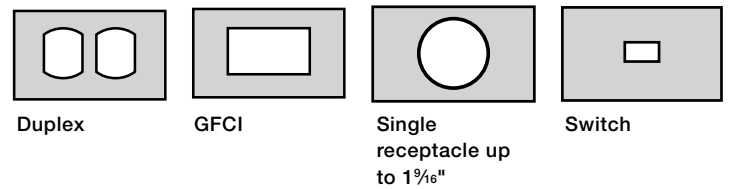
CKMU—Medium horizontal cover, 3¼" internal depth



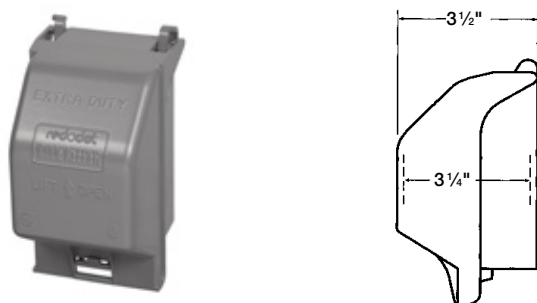
Cat. No.	Color	Std. ctn.
CKMU	Silver	3

Note: Covers packed with gasket and screws.

Use for any of these configurations:



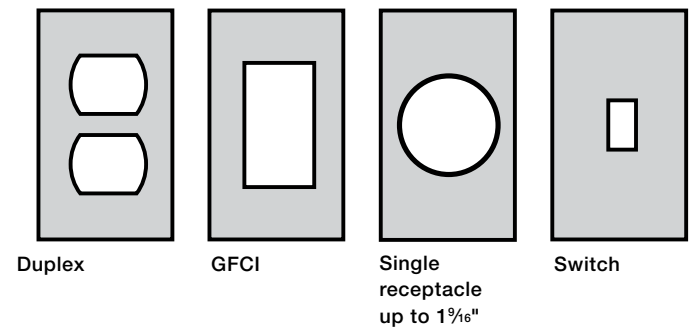
CKMUV—Medium vertical cover, 3¼" internal depth



Cat. No.	Color	Std. ctn.
CKMUV	Silver	6

Note: Covers packed with gasket and screws.

Use for any of these configurations:



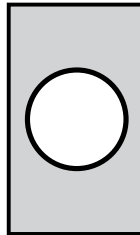
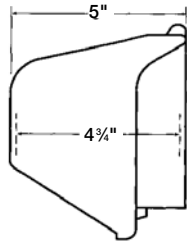
NEC and National Electrical Code are registered trademarks of the National Fire Protection Association, Inc.

Weatherproof metallic covers

Code Keeper® metallic while-in-use covers — single gang and two-gang

“Extra-Duty” per NEC® Section 406.9(B)(1)

CKLSVU — Large vertical cover, 4¾" internal depth

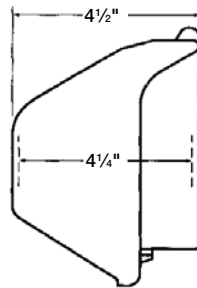


Single receptacle up to 2½"

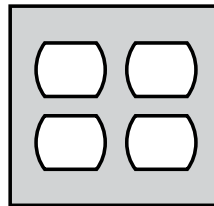
Cat. No.	Color	Std. ctn.
CKLSVU	Silver	2

Note: Covers packed with gasket and screws.

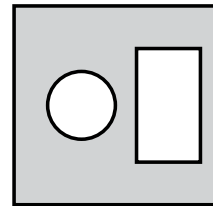
2CKU — Regular cover, 4¼" internal depth



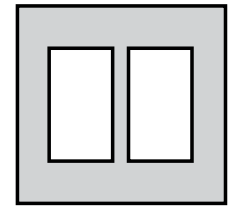
Use for any of these configurations:



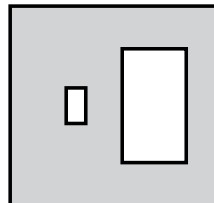
Two-duplex receptacle cover



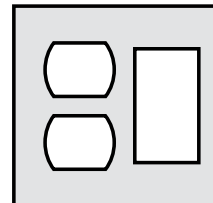
Single up to 1⅜" and GFCI receptacle cover



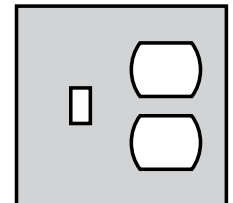
Two-GFCI receptacle cover



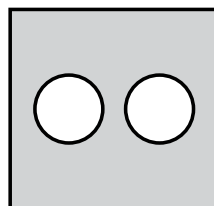
Toggle and GFCI receptacle cover



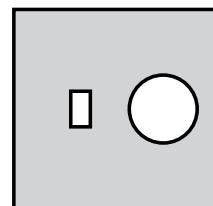
Duplex and GFCI receptacle cover



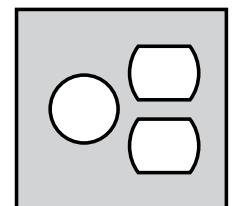
Toggle and duplex receptacle cover



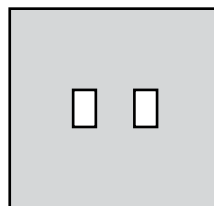
Two-single up to 1⅜" receptacle cover



Toggle and single up to 1⅜" receptacle cover



Single up to 1⅜" and duplex receptacle cover



Two-toggle switch cover

Cat. No.	Color	Std. ctn.
2CKU	Silver	2

Note: Covers packed with gasket and screws.

Weatherproof non-metallic covers

Code Keeper® extra-duty non-metallic weatherproof while-in-use covers

One cover handles GFCI, single, duplex or switch configurations

Red•Dot® Code Keeper® extra-duty non-metallic weatherproof while-in-use covers make it easier than ever to comply with National Electrical Code® (NEC®) requirements for receptacles in wet locations. Weatherproof covers are often subject to bumps and impact through everyday use, but this reinforced design withstands abuse, featuring a stainless steel hinge pin for rugged cover attachment that's great for high-traffic areas.

Pre-configured for GFCI, each cover ships with adapter plates to accommodate single or duplex receptacles and switches. Now, contractors can handle any application they encounter without needing dozens of different covers.

- Complies with NEC® Section 406.9 (B) (1) and 590.4 (D) (2) for extra-duty outlet box hoods—now required in wet locations
- Robust stainless steel hinge pin—ideal for high-traffic areas
- Available in single- and two-gang configurations with a variety of cover depths
- Accommodates numerous receptacle configurations and almost every common plug and cord size
- Keyhole mounts make it fast and easy to install—just loosen existing device screws and slide cover over
- Combination box or device-mounting design provides flexibility in installation
- Lockable covers comply with OSHA lockout/tagout (LOTO) requirements
- Ships with adapter plates and pre-mounted gaskets
- Unique wasp guard included to keep out unwanted pests



2CKPM



CKPM

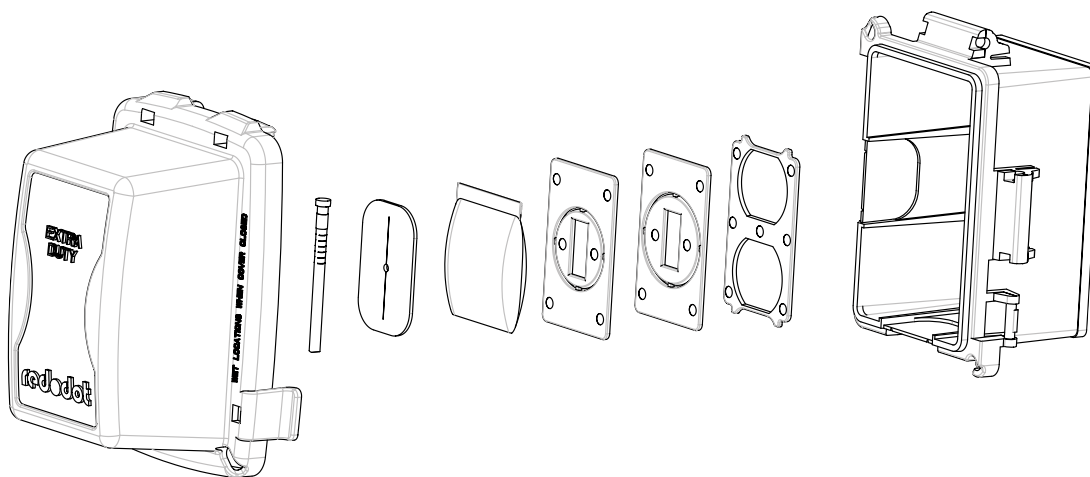
Red•Dot® Code Keeper® extra-duty Non-metallic while-in-use covers

Cat. Number	Top color	Bottom color	Std. ctn.
Single-gang shallow—vertical or horizontal—2¼" deep			
CKPS	Clear	Gray	7
CKPS-G	Gray	Gray	7
CKPS-W	White	White	7
CKPS-BR	Bronze	Bronze	7
Single-gang medium—vertical or horizontal—2⅝" deep			
CKPM	Clear	Gray	8
CKPM-G	Gray	Gray	8
CKPM-W	White	White	6
CKPM-BR	Bronze	Bronze	6
Single-gang large—vertical or horizontal—4¾" deep			
CKPL	Clear	Gray	4
Two-gang medium—2⅝" deep			
2CKPM	Clear	Gray	4
2CKPM-G	Gray	Gray	4
2CKPM-W	White	White	4
2CKPM-BR	Bronze	Bronze	4
Two-gang large—4¾" deep			
2CKPL	Clear	Gray	4

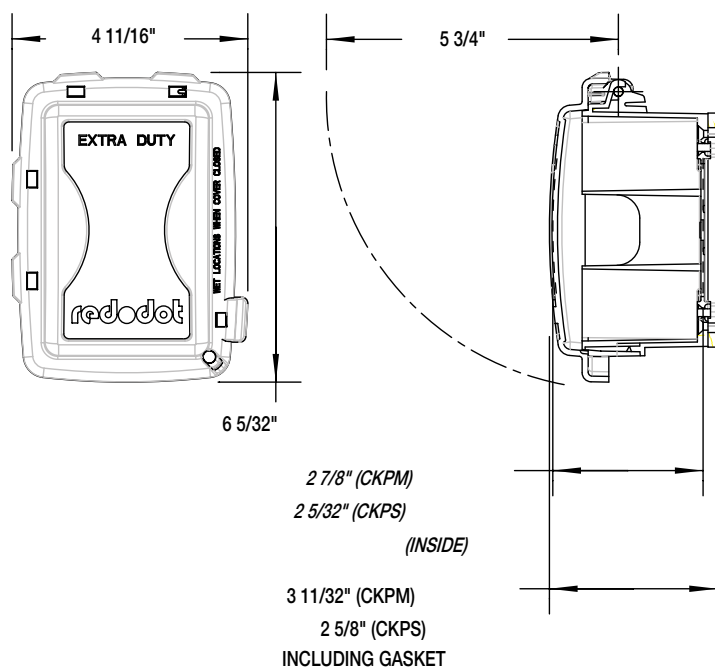
*NEC and National Electrical Code are registered trademarks of the National Fire Protection Association, Inc.

Weatherproof non-metallic covers

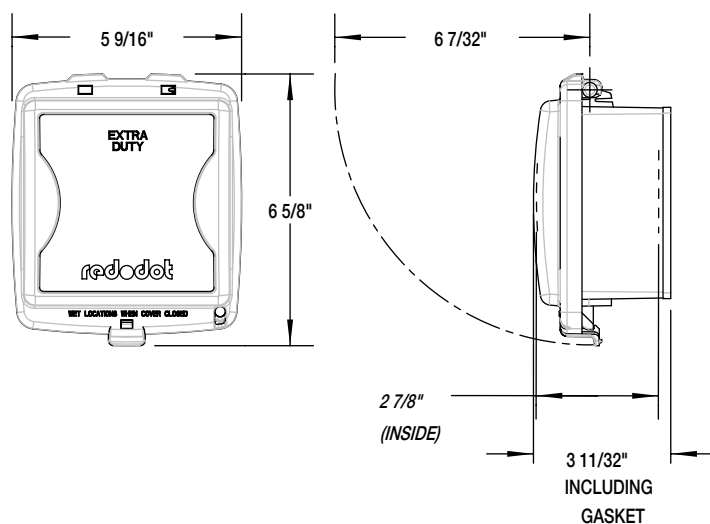
Code Keeper® universal non-metallic weatherproof while-in-use covers



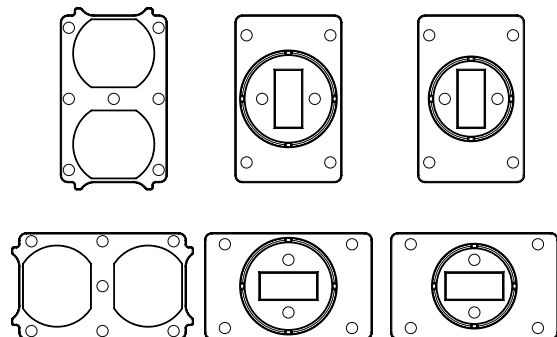
Single-gang (CKPM) – dimensions



Two-gang (2CKPM) – dimensions



Single-gang base options



GFCI, Duplex, Switch, up to 1 $\frac{1}{16}$ '' Rounds

Weatherproof metallic boxes

Universal boxes and covers

Applications:

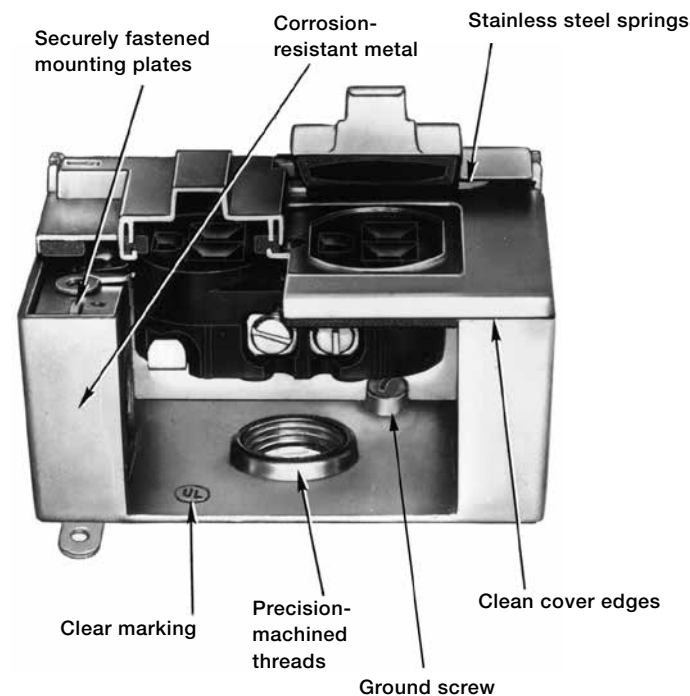
- Dry-Tite™ boxes and covers protect wiring devices, switches, electronic components and terminal blocks in dry, damp and wet locations
- Accessible wiring chamber provides a convenient location to maintain or change a system, pull conductors and make splices
- Junction box for branch conduits

Features/Benefits:

- Alloy A380 aluminum, certified zinc alloy and stainless steel springs provide increased corrosion resistance
- Die-cast construction and industrial design combine to produce a rugged protective enclosure for devices on many applications
- Clean cover edges provide good gasket sealing
- Precision-cast and machined surfaces permit safer wire pulling
- Clear UL and cubic content markings speed approval by inspectors
- Convenient mounting lugs for a variety of mounting methods
- Securely fastened mounting plates reduce costly callbacks

Standard materials:

- Boxes: Die-cast aluminum alloy A380
- Cover Plates: Stamped aluminum alloy or certified die-cast zinc alloy ZAMAK 3
- Cover Lids: Certified die-cast zinc alloy ZAMAK 3



Standard finish:

- Powder-coated finish

Compliances:

- UL® Listed (UL File No. E-28688)
- Boxes: CSA Certified with factory installed ground screw**
- Covers: CSA Certified
- Covers suitable for use in wet locations with covers closed
- CCB and CCT series covers suitable for use in wet locations
- Federal Spec. W-C-586
- NEMA 3R Rated

Sample specifications:

- Universal device boxes and covers shall be of aluminum alloy A380 and certified zinc alloy. All conduit stops shall be free of rough edges. Covers shall have stainless steel springs. Covers shall be finished with powder-coated paint. Universal device boxes and covers shall be Red•Dot®
Catalog No. _____

** Consult factory for lead time and minimum quantity.



2CCTS



2IH5-1



CCD

Accessible wiring chamber provides a convenient location to pull conductors and make splices in dry, damp or wet locations.

- Maximum cubic capacity
- Securely fastened mounting plates
- Corrosion-resistant materials
- Powder-coated finish
- Ground screw included
- Precision-machined threads
- Clear UL and cubic volume marking



IH3-1-LM

Weatherproof metallic boxes

Universal boxes and covers

Single-gang

	Cat. No.	Hub size (in.)	Color	Std. ctn.
Three outlets				
	IH3-1	1/2	Silver	50
	IH3-2	3/4	Silver	50
	IH3-1-LM•	1/2	Silver	50
	IH3-2-LM•	3/4	Silver	50
	D-PAK			
	DIH3-1-LM•	1/2	Silver	10
	DIH3-1-LM-BR•	1/2	Bronze	10
	DIH3-1-LM-WH•	1/2	White	10
	DIH3-2-LM•	3/4	Silver	10
	B13030G	1	Silver	10
Four outlets				
	IH4-1	1/2	Silver	50
	IH4-2	3/4	Silver	50
	IH4-1-LM•	1/2	Silver	50
	IH4-2-LM•	3/4	Silver	50
	D-PAK			
	DIH4-1-LM•	1/2	Silver	10
	DIH4-1-LM-BR•	1/2	Bronze	10
	DIH4-1-LM-WH•	1/2	White	10
DIH4-2-LM•	3/4	Silver	10	
Five outlets				
	IH5-1	1/2	Silver	25
	IH5-2	3/4	Silver	25
	IH5-1-LM•	1/2	Silver	25
	IH5-2-LM•	3/4	Silver	25
	D-PAK			
	DIH5-1-LM•	1/2	Silver	10
DIH5-2-LM•	3/4	Silver	10	
Five outlets (2-side)				
	B1501SGR	1/2	Silver	16
	B1502SG	3/4	Silver	25
Six outlets (3-side)				
	IH6S2-1•	1/2	Silver	25
	IH6S2-2•	3/4	Silver	25

Note: Raintight when used with appropriate Red•Dot® covers. Boxes supplied with 2 closure plugs and ground screw.
• With mounting lugs

Two-gang






	Cat. No.	Hub Size (in.)	Color	Std. ctn.
Three outlets				
	2IH3-1•	1/2	Silver	10
	2IH3-2•	3/4	Silver	10
	D-PAK			
2IH3-1	D2IH3-1	1/2	Silver	6
Four outlets				
	2IH4-1•	1/2	Silver	10
	2IH4-2•	3/4	Silver	10
Five outlets				
	2IH5-1•	1/2	Silver	10
	2IH5-2•	3/4	Silver	10
2IH5-1	Five outlets (2-side)			
	2IH5S2-1•	1/2	Silver	10
	2IH5S2-2•	3/4	Silver	10
	B25D30G	1	Silver	10
2IH5S2-1	Seven outlets			
	2IH7-1•	1/2	Silver	10
	2IH7-2•	3/4	Silver	10
2IH7-1	Seven outlets (2-side)			
	2IH7S2-1•	1/2	Silver	10
	2IH7S2-2•	3/4	Silver	10
2IH7S2-1				

Note: Raintight when used with appropriate Red•Dot® covers. Boxes supplied with 2 closure plugs and ground screw.
• With mounting lugs


Weatherproof metallic boxes

Universal boxes and covers


Deep boxes—single- and multi-gang

	Cat. No.	Hub Size (in.)	Color	Std. ctn.
Three outlets				
	IHD3-1•	½	Silver	10
	IHD3-2•	¾	Silver	10
	IHD3-3•	1	Silver	10
Four outlets				
	IHD4-1•	½	Silver	10
	IHD4-2•	¾	Silver	10
Two-gang five outlets				
	2IHD5-1•	½	Silver	5
	2IHD5-2•	¾	Silver	5
	2IHD5-3•	1	Silver	5
Two-gang seven outlets				
	2IHD7S2-3	1	Silver	36
	B37D20G	¾	Silver	5
	B37D30G	1	Silver	5





Close-up plugs—zinc

	Cat. No.	Hub Size (in.)	Color	Material	Std. ctn.
	PLG-1-RD	½	Silver	Zinc	100
	PLG-2-RD	¾	Silver	Zinc	100
	PLG-3-RD	1	Silver	Zinc	100


D-PAK®

	Cat. No.	Hub Size (in.)	Color	Material	Std. ctn.
	DPLG-1	½	Silver	Zinc	30
	DPLG-1-BR	½	Bronze	Non-metallic	75
	DPLG-1-WH	½	White	Non-metallic	75
	DPLG-2	¾	Silver	Zinc	30


Extensions—single-gang

	Cat. No.	Hub size (in.)	Description	Color	Std. ctn.
No outlets—1" deep					
	IHE	N/A	Extension ring for one-gang box with gasket and screws	Silver	10
Four outlets—1⅞" deep					
	S121E-R	½	4-hole extension ring for one-gang box with 4 plugs, gasket and screws	Silver	6
Two outlets, flanged—1⅞" deep add on					
	IHEF2-1	½	2-hole flanged box extension adapter with 1 plug gasket and screws	Silver	5
	IHEF2-2	¾			
Six outlets, flanged—1⅞" deep add on					
	IHEF6S2-1	½	6-hole flanged box extension adapter with 4 plugs, gasket and screws	Silver	5
	IHEF6S2-2	¾			


Extensions—Two-gang

	Cat. No.	Hub size (in.)	No. of Hubs	Description	Color	Std. ctn.
Deep						
	2IHE	N/A	0	Extension ring for two-gang boxes with gasket and screws	Silver	10

Extensions—Round

	Cat. No.	Hub size (in.)	No. of Hubs	Description	Color	Std. ctn.
Four outlets—1⅞" deep						
	S130E	½	4	Round extension with gasket and screws	Silver	8
	SE-48	¾	4		Silver	5

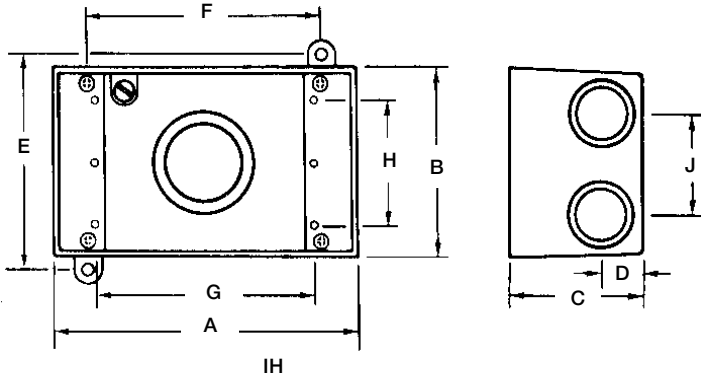
Mounting lugs

	Cat. No.	Description	Color	Std. ctn.
	LM	2 Mounting lugs with self-tapping screws, for LM boxes only	Silver	100

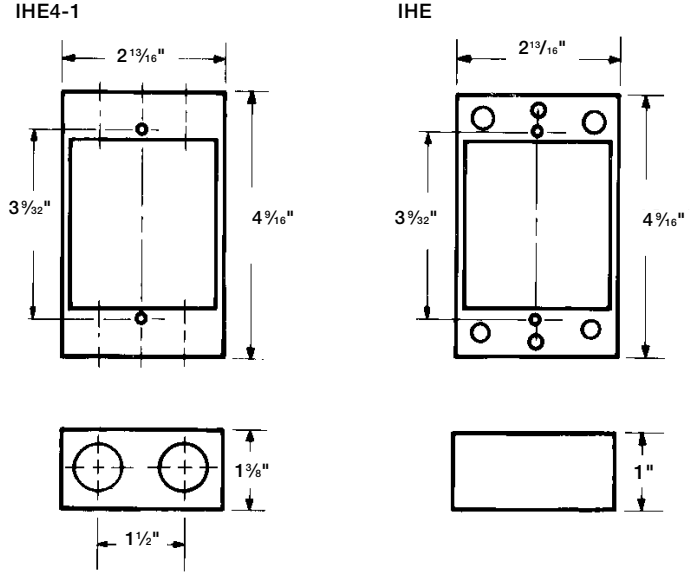
Weatherproof metallic boxes

Universal boxes and covers

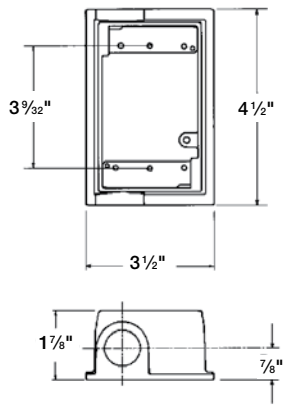
Single-gang boxes



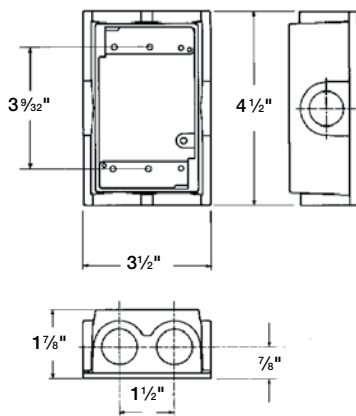
Single-gang extension rings



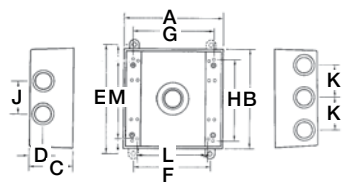
Two-hole flanged box extension adapter IHEF2 (Add-On)



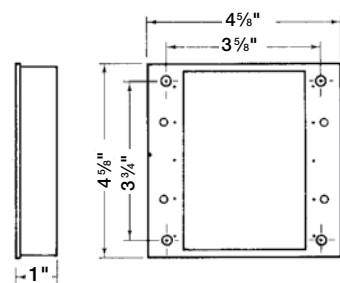
Six-hole flanged box extension adapter IHEF6S2 (Add-On)



Two- and three-gang boxes 2IH & 3IH



Two-gang extension ring 2IHE



Cat. No.	Hub Size	Dimensions (in.)									
		A	B	C	D	E	F	G	H	J	CI
IH-1	1/2	4 9/16	2 13/16	2	5/8	—	—	3 1/4	1 7/8	1 1/2	17.3
IH-2	3/4	4 9/16	2 13/16	2	5/8	—	—	3 1/4	1 7/8	1 1/2	17.0
IH-LM-1	1/2	4 9/16	2 13/16	2	5/8	3 13/16	3 1/2	3 1/4	1 7/8	1 1/2	17.3
IH-LM-2	3/4	4 9/16	2 13/16	2	5/8	3 13/16	3 1/2	3 1/4	1 7/8	1 1/2	17.0
IH-S-1	1/2	4 9/16	2 13/16	2	5/8	3 13/16	3 1/2	3 1/4	1 7/8	1 1/2	17.0
IH-S-2	3/4	4 9/16	2 13/16	2	5/8	3 13/16	3 1/2	3 1/4	1 7/8	1 1/2	17.0
IHD3-1	1/2	4 9/16	2 13/16	2 5/8	5/8	3 13/16	3 1/2	3 1/4	1 7/8	1 1/2	24.8
IHD3-2	3/4	4 9/16	2 13/16	2 5/8	5/8	3 13/16	3 1/2	3 1/4	1 7/8	1 1/2	24.8
IHD3-3	1	4 9/16	2 13/16	2 5/8	3/4	3 13/16	3 1/2	3 1/4	1 7/8	1 1/2	23.5

Cat. No.	Dimensions (in.)												
	A	B	C	D	E	F	G	H	J	K	L	M	CI
2IH3	4 9/16	4 9/16	2 1/16	5/8	5	3 1/2	3 1/2	3 3/4	—	—	3 1/4	3 1/16	31.8
2IH4	4 9/16	4 9/16	2 1/16	5/8	5	3 1/2	3 1/2	3 3/4	1 1/2	—	3 1/4	3 1/16	31.8
2IH5	4 9/16	4 9/16	2 1/16	5/8	5	3 1/2	3 1/2	3 3/4	1 1/2	—	3 1/4	3 1/16	31.8
2IH5S2	4 9/16	4 9/16	2 1/16	5/8	5	3 1/2	3 1/2	3 3/4	—	—	3 1/4	3 1/16	31.8
2IH7	4 9/16	4 9/16	2 1/16	5/8	5	3 1/2	3 1/2	3 3/4	—	1 1/2	3 1/4	3 1/16	30.3
2IH7S2	4 9/16	4 9/16	2 1/16	5/8	5	3 1/2	3 1/2	3 3/4	1 1/2	—	3 1/4	3 1/16	32.0
2IHD5	4 9/16	4 9/16	2 1/32	3/4	5	3 1/2	3 1/2	3 3/4	1 1/16	—	3 1/4	3 1/16	40.3
3IHD7	4 9/16	6 1/16	2 7/32	1 1/16	6 1/16	3 1/2	3 1/4	5 5/8	—	1 1/16	3 1/4	3 1/16	54.8

Weatherproof metallic covers

Universal flip-lid weatherproof covers

Universal design installs in both horizontal and vertical applications.

New Red•Dot® Universal Flip-Lid Weatherproof Covers save you time and money by reducing the number of items you have to inventory to complete a job. Capable of mounting either vertically or horizontally, the covers provide added versatility with innovative adapter plates to support all of the most common installation configurations—12 with the single-gang cover and 25 with the 2-gang cover. Choose from silver, bronze or white covers.

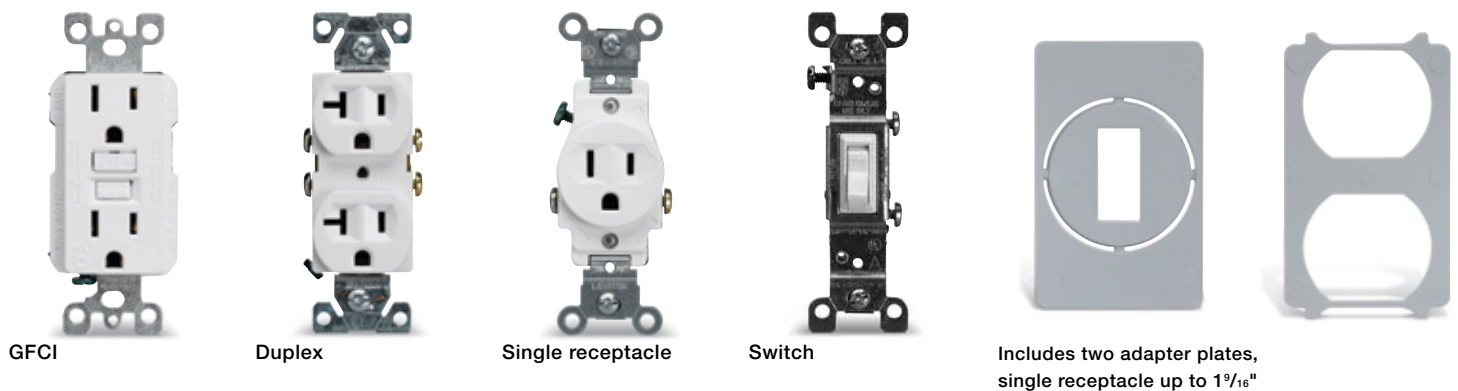
Features:

- Included adapter plates offer 12 installation options with single-gang cover and 25 installation options with 2-gang cover
- Keyhole openings on back enable easy installation on an existing outlet
- Durable, die-cast zinc-alloy construction
- Suitable for use in wet locations with cover closed
- Available in silver, bronze and white
- Lockable for security when not in use
- Easy access to outlet with 130° opening
- Preconfigured for GFCI—the industry’s most common outdoor application

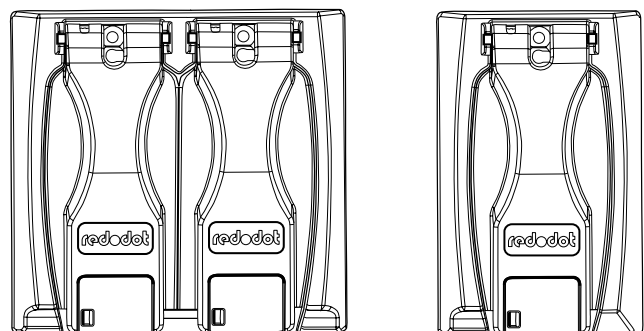


CCU

Accommodates multiple outlet configurations (receptacles not included)







Cat. No.	Description	Color	Std. ctn.
CCU	Single-gang cover (installs vertically or horizontally)—silver	Silver	50
DCCU	D-PAK—single-gang cover, silver	Silver	25
DCCU-BR	D-PAK—single-gang cover, bronze	Bronze	25
DCCU-WH	D-PAK—single-gang cover, white	White	25
2CCU	2-Gang cover—silver	Silver	10
2CCU-BR	2-Gang cover—bronze	Bronze	10
2CCU-WH	2-Gang cover—white	White	10



Weatherproof metallic covers

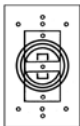
Universal flip-lid weatherproof covers







Single-gang device covers

	Cat. No.	Color	Description	Std. ctn.
Duplex receptacle cover, horizontal				
	CCD	Silver	Device mount	50
	CCD-L	Silver	Device mount with lock option	50
	CCD-FS	Silver	Box mount	50
	WR81-CN	Natural	Cover, stay-open lid	50
	WRH80-C	Gray	Cover, self-closing lids	10
	D-PAK			
	DCCD	Silver	Device mount	20
	DCCD-BR	Bronze	Device mount	20
	DCCD-WH	White	Device mount	20
	DCCDSO	Silver	Device mount, stay open	20
	DCCDSO-BR	Bronze	Device mount, stay open	20
	DCCDSO-WH	White	Device mount, stay open	20
	Duplex receptacle cover, vertical			
	CCDV	Silver	Device mount	25
	CCDV-L	Silver	Device mount with lock option	25
	D-PAK			
	DCCDV	Silver	Device mount	20
	DCCDV-BR	Bronze	Device mount	20
	DCCDV-WH	White	Device mount	20
GFCI receptacle cover, horizontal				
	CCG	Silver	Device mount	25
	CCG-FS	Silver	Box mount	25
	CCG-L	Silver	Lockable	25
	D-PAK			
	DCCG	Silver	Device mount	16
	DCCG-BR	Bronze	Device mount	16
DCCG-WH	White	Device mount	16	
GFCI Receptacle cover, vertical				
	CCGV	Silver	Device mount	25
	CCGV-L	Silver	Device mount with lock option	25
	D-PAK			
	DCCGV	Silver	Device mount	20
	DCCGV-BR	Bronze	Device mount	20
	DCCGV-WH	White	Device mount	20

Note: All covers packed with gasket and screws.

Single-gang gasket

	Cat. No.	Color	Description	Std. ctn.
	CCK	Black	Neoprene	40










	Cat. No.	Color	Description	Std. ctn.
Single receptacle cover, horizontal— 1.59" Diameter opening				
	CCS	Silver	Device mount	25
	CCS-L	Silver	Lockable	25
	CCSSO	Silver	Stay open lid	25
Single receptacle cover, vertical— 1.59"/2.156" Diameter opening				
	CCSV	Silver	Device mount	25
	CCSV-L	Silver	Device mount with lock option	25
	CCPO	Silver	Power outlet cover with 2.156" Diameter opening, box mount	25
	CCPO-L	Silver	Box mount with lock option	25
Single receptacle cover, vertical—1.59" Opening				
	CCSV-TL	Silver	Device mount integral locking hasp	25
Motor base plug and cover, horizontal				
	CCMB	Silver	Device mount 15a, 125v Motor base plug	10
Switch cover only				
	CCT	Silver	Device mount switch cover only, packed with spacers and screws	25
Switch cover with switch				
	CCT-1	Silver	Single-pole 15a, 125v	10
	CCT-1-20	Silver	Single-pole 20a, 120-277v	10
	SW1	Silver	One-gang cover with 10a, 125v single-pole switch	25
	SW2	Silver	One-gang cover with 10a, 125v double-pole switch	10
	SW20-1/710	Silver	One-gang cover with 20a, 102/277v single-pole switch (special oil- and gas-resistant gasket)	50
	SW20-2	Silver	One-gang cover with 20a, 102/277v double-pole switch	25

UL Listed E-18407.
CSA Certified LR-016807.


Weatherproof metallic covers

Universal flip-lid weatherproof covers


Two-gang device covers


	Cat. No.	Color	Description	Std. ctn.
Two-duplex receptacle cover				
	2CCD	Silver	Device mount	10
	2CCD-L	Silver	Device mount with lock option	10
	WR281-CBR	Silver	Cover, self-closing lids	10
	WR281-C-WH	Silver	Cover, self-closing lids	10
2CCD				
Two-GFCI receptacle cover				
	2CCG	Silver	Device mount	10
2CCG				
One duplex and one GFCI receptacle cover				
	2CCDG	Silver	Device mount	10
2CCDG				
Two-single receptacle cover—1.485" Diameter opening				
	2CCS	Silver	Device mount	10
	2CCS-L	Silver	Device mount with lock option	10
2CCS				
One single receptacle and one duplex receptacle cover—1.485" Diameter opening				
	2CCSD	Silver	Device mount	10
2CCSD				
Single receptacle and one GFCI receptacle cover—1.485" Diameter opening				
	2CCSG	Silver	Device mount	10
	2CCSG-L	Silver	Device mount with lock option	10
2CCSG				
Double switch cover				
	2CCT	Silver	Cover only, packed with spacers	10
	2CCT-1	Silver	Cover with two single-pole 15a, 125v switches and spacers	5
2CCT				
Switch and one duplex receptacle cover				
	2CCTD	Silver	Cover only, packed with spacers	10
	2CCTD-1	Silver	Cover with one switch single-pole 15a, 125v and one duplex receptacle and spacers	5
2CCTD				
Switch and one GFCI receptacle cover				
	2CCTG	Silver	Device mount cover only with spacers	10
2CCTG				


Note: Raintight when used with appropriate Red•Dot® boxes. All covers packed with gasket and screws.

	Cat. No.	Color	Description	Std. ctn.
Power outlet cover				
	2CCPOX	Silver	Power outlet cover with 2.55" opening	10
2CCPOX				

Blank covers

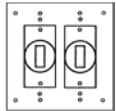
	Cat. No.	Color	Description	Std. ctn.
Single-gang				
	CCB	Silver	Device mount	100
	CCB-AL	Silver	Aluminum	100
	CCB-FS	Silver	Box mount	100
	D-PAK			
	DCCB-AL	Silver	Aluminum	20
	S340E-20R	Silver	Device mount	20
	S340BRE-R	Bronze	Device mount	20
	S340WHE-R	White	Device mount	20
CCB				

	Cat. No.	Color	Description	Std. ctn.
Two-gang				
	2CCB	Silver	Device mount	50
	2CCB-AL	Silver	Aluminum	50
	2CCB-FS	Silver	Box mount	50
2CCB				

	Cat. No.	Color	Description	Std. ctn.
Three-gang				
	3CCB	Silver	Box mount	25
	3CCB-AL	Silver	Aluminum	25
3CCB				

Note: Raintight when used with appropriate red•dot® boxes. All covers packed with gasket and screws.

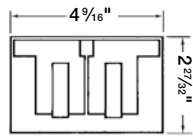
Two-gang gasket

	Cat. No.	Color	Description	Std. ctn.
	R104	Black	Two-Gang Gasket	100
R104				

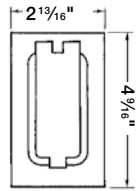
Weatherproof metallic covers

Universal flip-lid weatherproof covers

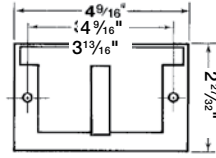
Single-gang covers



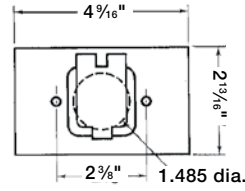
CCD



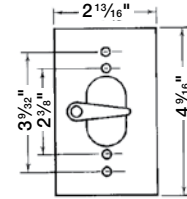
CCDV & CCGV



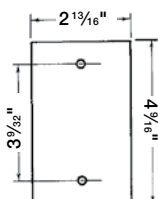
CCG



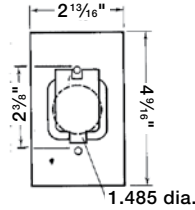
CCS



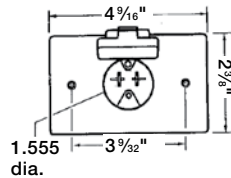
CCT



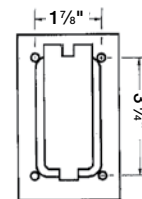
CCB



CCSV

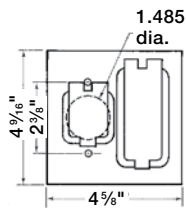


CCMB

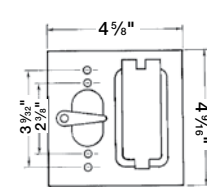


Typical FS mount hole pattern

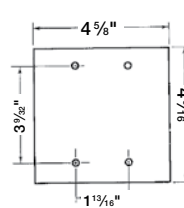
Two- and three-gang covers



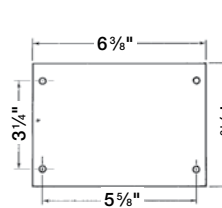
2CCSD & 2CCSG



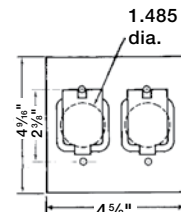
2CCTD



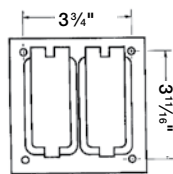
2CCB



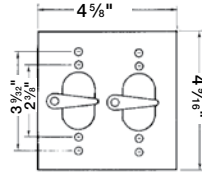
3CCB



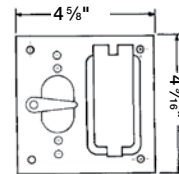
2CCS



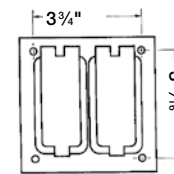
2CCD & 2CCG



2CCT



2CCTG-FS



Typical FS mount hole pattern

Weatherproof non-metallic fixtures and boxes

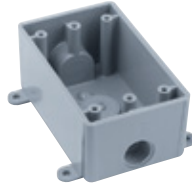
Red•Dot® non-metallic weatherproof fixtures

Weatherproof T boxes

- Red•Dot® weatherproof T boxes are for use with non-metallic wiring systems only
- Can be used with Red•Dot® lampholder

Single-gang T box

- With three 1/2" threaded holes
- Mounting feet included



E381D-CAR

Cat. No.	Color	Size (in.)	Std. ctn.
E381D-CAR	Gray	1/2	10
E381DW-CAR	White	1/2	10

Double-gang T box

- With three 1/2" and four 3/4" threaded holes
- Mounting feet included



E382DE

Cat. No.	Color	Size (in.)	Std. ctn.
E382DE	Gray	1/2	6
E382DEW	White	1/2	6

Round T box

- With five 1/2" threaded holes
- Mounting feet included



E365D-CAR

Cat. No.	Color	Size (in.)	Std. ctn.
E365D-CAR	Gray	1/2	10
E365DW-CAR	White	1/2	10

Weatherproof non-metallic covers

Single-gang—vertical mount

Single-gang—vertical mount

- For use in wet/damp locations
- Mounts to a box or device
- Non-metallic – won't rust or fade
- Paintable
- Easy to install
- Made in the U.S.A.



30-Amp receptacle

For 30-amp or other single receptacles under 1.750" diameter



Cat. No.	Color	Std. ctn.
E98G30N-CAR	Gray	10

E98G30N-CAR

Duplex receptacle



Cat. No.	Color	Std. ctn.
E98GDRN-CAR	Gray	10

E98GDRN-CAR

GFCI Receptacle

Device opening dimensions: 2.63" H x 1.31" W



Cat. No.	Color	Std. ctn.
E98GFCN-CAR	Gray	10

E98GFCN-CAR

15-Amp receptacle

For 15-amp or other single receptacles under 1.375" diameter



Cat. No.	Color	Std. ctn.
E98SRCN-CAR	Gray	10

E98SRCN-CAR

20-Amp receptacle

– For 20-amp or other single receptacles under 1.625" diameter



Cat. No.	Color	Std. ctn.
E98G20N-CAR	Gray	20

E98G20N-CAR

Single switch



E98SSCN-CAR

Cat. No.	Color	Std. ctn.
E98SSCN-CAR	Gray	10

Toggle switch



E98TSCN-CAR

Cat. No.	Color	Std. ctn.
E98TSCN-CAR	Gray	5

Blank

Supplied with stainless steel mounting screws and gasket



E980CN-CAR

Cat. No.	Color	Std. ctn.
E980CN-CAR	Gray	12
E980CM-CAR	White	12

50-Amp receptacle

For 50-amp or other single receptacles under 2.250" diameter



E98G5FN-CAR

Cat. No.	Color	Std. ctn.
E98G5FN-CAR	Gray	10

Weatherproof non-metallic covers

Single-gang—horizontal mount

Single-gang—horizontal mount Duplex receptacle



Cat. No.	Color	Std. ctn.
E98DHGN-CAR	Gray	10

E98DHGN-CAR

Double-gang

- For use in wet/damp locations
- Mounts to a box or device
- Non-metallic—won't rust or fade
- Paintable
- Easy to install
- Made in the u.S.A.

GFCI Receptacle



Cat. No.	Color	Std. ctn.
E98GHGN-CAR	Gray	10

Note: Device opening dimensions: 2.63" W x 1.3" H.

E98GHGN-CAR

Two-gang blank

Supplied with stainless steel mounting screws and gasket



Cat. No.	Color	Std. ctn.
E9802CN-CAR	Gray	10

E9802CN-CAR

Combination toggle/GFI



Cat. No.	Color	Std. ctn.
E9G2GTN-CAR	Gray	5

E9G2GTN-CAR

Double duplex



Cat. No.	Color	Std. ctn.
E9G2DDN-CAR	Gray	10

E9G2DDN-CAR

Combination toggle/duplex receptacle



Cat. No.	Color	Std. ctn.
E9G2DSN-CAR	Gray	10

E9G2DSN-CAR

Double toggle



Cat. No.	Color	Std. ctn.
E9G2SSN	Gray	6

E9G2SSN

Door operated light switch



Cat. No.	Color	Description	Std. ctn.
DN415	Gray	Door open—light on	25
DF415	Gray	Door open—light off	25

DN415

Weatherproof metallic boxes

Round boxes, extensions and covers

Applications:

- Junction for branch conduits
- Spacious, accessible wiring chamber provides a convenient location to maintain or change a system, pull conductors and make splices

Features/Benefits:

- Copper-free* aluminum provides increased corrosion resistance
- Precision-cast and machined surfaces permit safer wire pulling
- Clean cover edges provide good gasket sealing
- Precision NPT threads enable trouble-free field installation for rigid, IMC or EMT conduit
- Deep-slotted stainless steel cover screws for faster installation
- Clear UL® and cubic content markings speed approval by inspectors

Standard materials:

- S Boxes: Die-cast aluminum alloy A380
- SS-B Cover: Stamped aluminum
- Gaskets: Composition

Standard finish:

- Powder-coated finish

Compliances:

- UL® Listed
- Federal Spec. W-C-586B
- Sample Specifications:
- Outlet boxes and covers shall be die-cast copper-free* aluminum alloy A380 ("S"). Outlet boxes and covers shall be finished with powder-coated paint.

Outlet boxes and covers shall be Red•Dot®.

Catalog No. _____

* Less than .004% copper content.

** S Boxes — Die-cast aluminum alloy A380.



S-47

Boxes

Cat. No.	Color	Hub size (in.)	Description	Std. ctn.
Five outlets, 4 1/8" diameter				
S-47	Silver	1/2	5 Outlets, cast	36
S47CFB	Silver	1/2	Ceiling fan box and cover rated for 50 lb. Fixture or 35 lb. Fan	10
S-48	Silver	3/4	Mounting lugs, 4 closure plugs	36
S48CFB	Silver	3/4	Ceiling fan box and cover rated for 50 lb. Fixture or 35 lb. Fan	10
D-PAK				
DS-47	Silver	1/2	5 Outlets	8
DS-47-BR	Bronze	1/2	5 Outlets	8
DS-47-WH	White	1/2	5 Outlets	8
DS-48	Silver	3/4	5 Outlets	8
DS-48-BR	Bronze	3/4	5 Outlets	8
DS-48-WH	White	3/4	5 Outlets	8
DS-47B	Silver	1/2	With blank cover	8
DS-48B	Silver	3/4	With blank cover	8

Note: Boxes are raintight when used with appropriate Red•Dot® covers. All covers packed with gasket and screws.



S130E

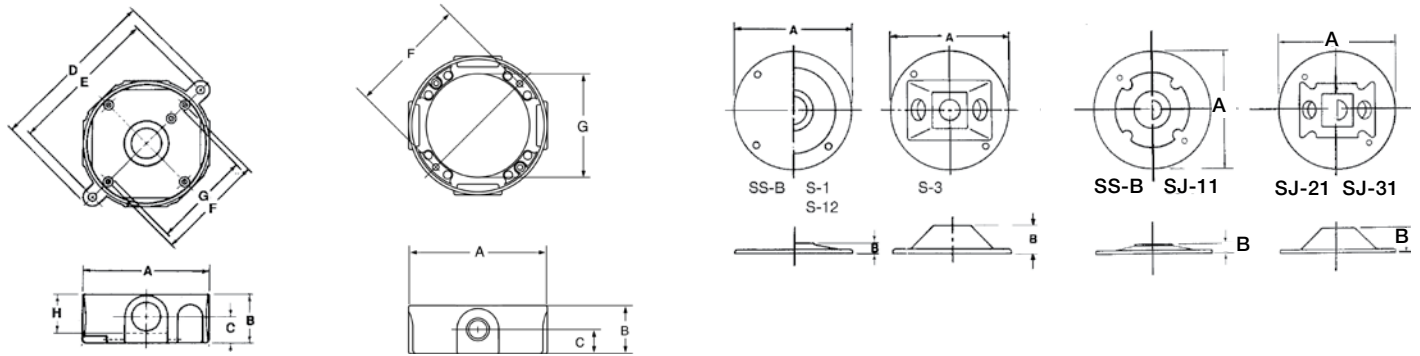
4 1/2" Round extensions

Cat. No.	Color	Hub size (in.)	Description	Std. ctn.
Four outlets, 4 1/8" diameter, 1 5/8" deep				
S130E	Silver	1/2	4 Outlets	8
SE-48	Silver	3/4	4 Closure plugs, gasket and screws	5

Weatherproof metallic boxes

Round boxes, extensions and covers

Outlet boxes, extensions



Cat. No.	Dimensions (in.)									
	Hub Size	A	B	C	D	E	F	G	H	CI
S-47	1/2	4 1/8	1 5/8	3/4	5 7/16	4 15/16	3 1/2	3 3/8	1 1/4	17.0
S130E	1/2	4 1/8	1 5/8	1 3/16	—	—	3 1/2	3 1/16	—	18.3
S-48	3/4	4 1/8	1 5/8	7/8	5 7/16	4 15/16	3 1/2	3 3/8	1 1/4	17.0
SE-48	3/4	4 1/8	1 5/8	1 3/16	—	—	3 1/2	3 1/16	—	18.3

Round blank covers

SS-B

CCRSB

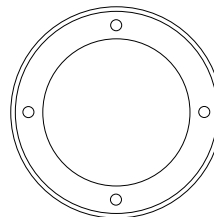


Cat. No.	Color	Description	Std. ctn.
4 1/8" Diameter			
SS-B	Silver	Weatherproof cover with gasket and screws	15
5" Diameter			
CCRSB	White	Mounting holes 2 3/4" on center (not raintight)	50
CCRB	White	Mounting holes 3 1/2" on center (not raintight)	50

Note: Covers are raintight when used with appropriate Red•Dot® boxes. All covers packed with gasket and screws.

Round gasket

S621E



Cat. No.	Color	Description	Std. ctn.
S621E	Black	Round gasket	50

Weatherproof metallic lampholders

Lampholder covers

Round lampholder covers

- Heavy-duty die-cast construction
- Powder-coat finish in silver, bronze or white
- Three-hole cover is supplied with a 1/2" closure plug
- Supplied with sealing gasket and cover screw

Standard covers

Cat. No.	Color	Hub size (in.)	Description	Std. ctn.
Gaskets and screws, 4 1/8" diameter				
S211E	Silver	1/2	One tapped hole	18
S-12	Silver	3/4	One tapped hole	50
S213E-15R	Silver	1/2	Three tapped holes	15
D-PAK				
S211E	Silver	1/2	One tapped hole	18
S211BRE	Bronze	1/2	One tapped hole	12
S211WHE	White	1/2	One tapped hole	12
S213E-15R	Silver	1/2	Three tapped holes	15
S213BRE-9R	Bronze	1/2	Three tapped holes	9
S213WHE-9R	White	1/2	Three tapped holes	9
S621E	—	—	Universal gasket	50



S211E

S-12

S213E-15R

Jumbo covers

Cat. No.	Color	Hub size (in.)	Description	Std. ctn.
Gaskets and screws, 4 1/2" diameter				
SJ-11	Silver	1/2	One tapped hole	36
SJ-21	Silver	1/2	Two tapped holes	18
SJ-31	Silver	1/2	Three tapped holes	36



SJ-11

SJ-21

SJ-31

Single-gang lampholder covers

Cat. No.	Color	Size (in.)	Description	Std. ctn.	
				Standard (2 13/16" x 4 1/2")	Jumbo (3 1/8" x 4 1/2")
S201E	LF11	Silver 1/2	One-hole device mount	20	50
LC-21	—	Silver 1/2	Two-hole device mount	25	—
S203E-R	LF31	Silver 1/2	Three-hole device mount	15	50
D-PAK					
S203E-R	—	Silver 1/2	Three-hole device mount	15	—
S203BRE	—	Bronze 1/2	Three-hole device mount	7	—
S203WHE	—	White 1/2	Three-hole device mount	7	—



S201E

LC-21

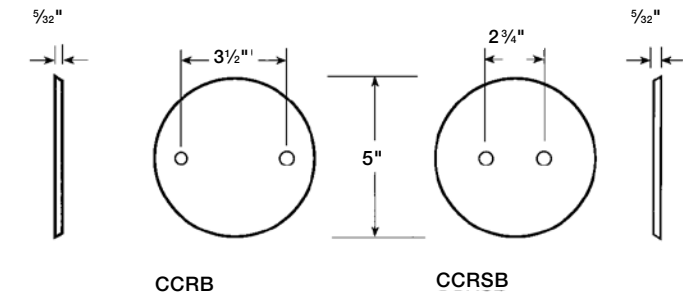
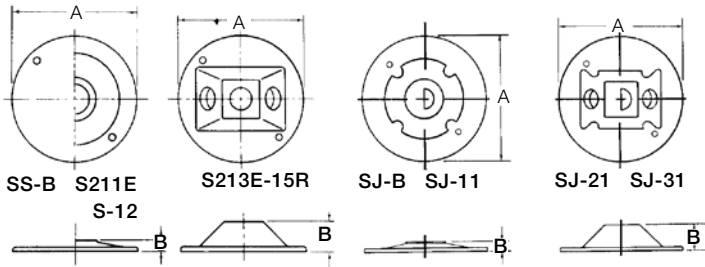
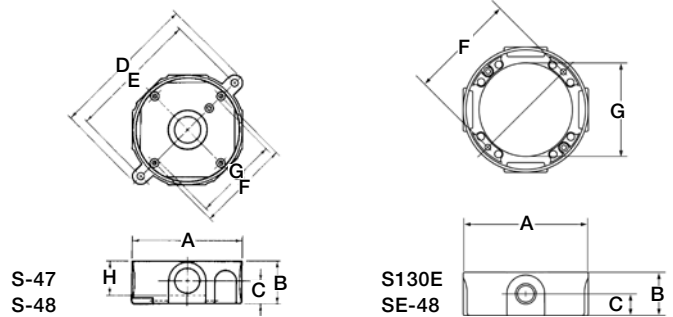
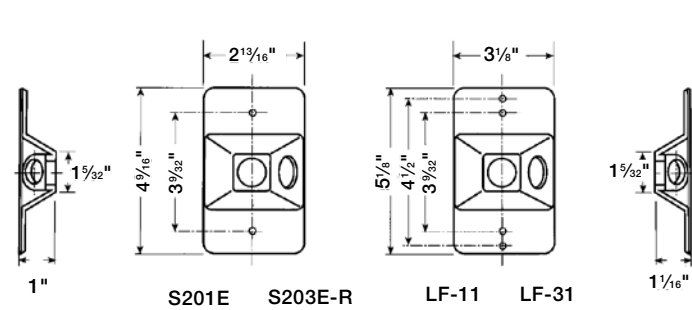


S203E-R

Weatherproof metallic lampholders

Dimensions and photometrics

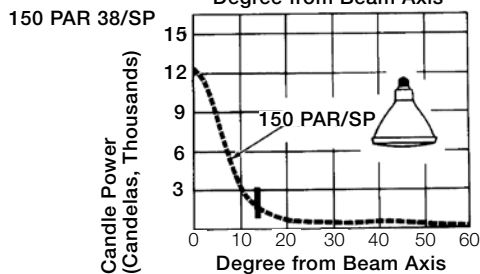
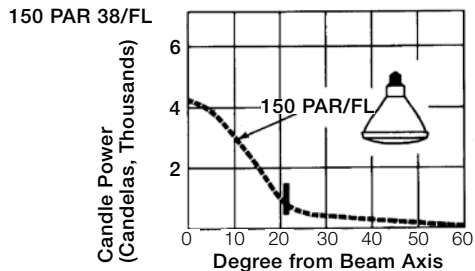
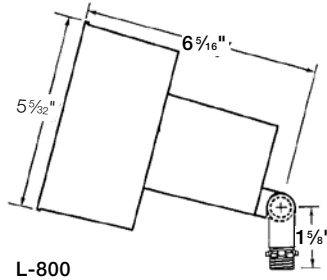
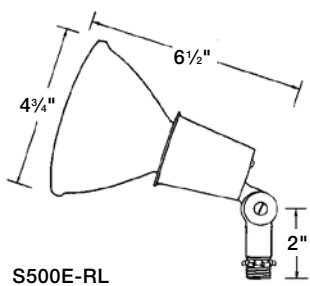
Dimensions in inches



Cat. No.	Hub Size	Dimensions (in.)								
		A	B	C	D	E	F	G	H	CI
S-47	1/2	4 1/8	15/8	3/4	5 9/16	4 15/16	3 1/2	3 3/8	1 1/4	16.0
S130E	1/2	4 1/8	15/8	13/16	—	—	3 1/2	3 3/16	—	18.3
S-48	3/4	4 1/8	15/8	7/8	5 9/16	4 15/16	3 1/2	3 3/8	1 1/4	17.0
SE-48	3/4	4 1/8	15/8	13/16	—	—	3 1/2	3 3/16	—	18.3
SS-B	—	4 1/8	3/64	—	—	—	—	—	—	—
S211E	1/2	4 1/8	13/8	—	—	—	—	—	—	—
S-12	3/4	4 1/8	3/8	—	—	—	—	—	—	—
S213E-15R	1/2	4 1/8	1 1/16	—	—	—	—	—	—	—
SJ-B	—	4 1/2	3/8	—	—	—	—	—	—	—
SJ-11	1/2	4 1/2	3/8	—	—	—	—	—	—	—
SJ-21	1/2	4 1/2	1	—	—	—	—	—	—	—
SJ-31	1/2	4 1/2	1	—	—	—	—	—	—	—

Photometrics

Photometrics are strictly a function of the lamp used.



Weatherproof metallic lampholders

Lampholders, garden lights and accessories

Applications:

- Security and general outdoor lighting fixture for residential and commercial applications
- Accent lighting fixture for highlighting outdoor signs and architectural details
- Compact outdoor lighting fixture that can be mounted easily in most places and aimed in any direction

Features/Benefits:

- Clean lines and precision manufacturing result in a fixture that will enhance any application
- High-quality replaceable porcelain socket with high-temperature leads enables easy field maintenance
- Positive-locking mounting arm keeps fixture in aimed position to reduce costly callbacks
- Ground screw boss in arm

Standard materials:

- Fixture: Certified die-cast zinc alloy ZAMAK 3
- Gasket: Heat-resistant composition or high-temperature silicone
- Socket: Center contact, porcelain, medium base

Standard finish:

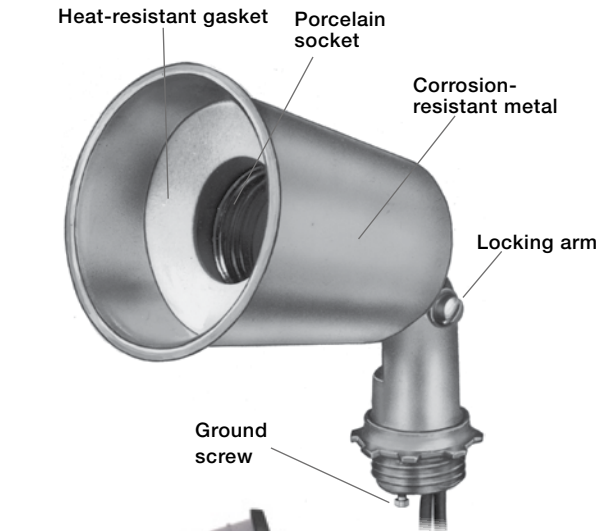
- Powder-coated finish
- Chrome-plated zinc

Compliances:

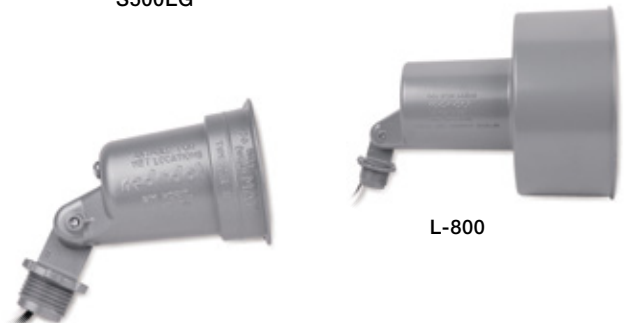
- UL® Listed
- Suitable for use in wet locations

Sample specifications:

- Lampholders shall be certified die-cast zinc alloy ZAMAK 3. Lampholder will have positive-locking mounting arm and replaceable socket. Fixture shall be Red•Dot® Dry-Tite™. Catalog No. _____ for use with _____ Watt incandescent lamp.



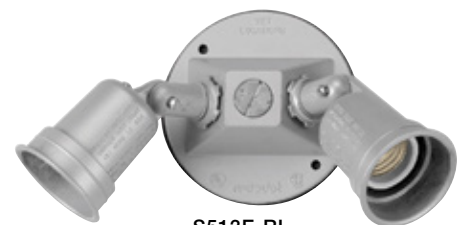
S500EG



S500E-RL



L-800



Weatherproof metallic lampholders

Lampholders

Lampholders, die-cast zinc zamak 3

Cat. No.	Color	Lamp max.	Description	Std. ctn.
Standard				
S500E-RL	Silver	150W• PAR 38 or R40	Inside gasket and ground screw	20
S500BRE-RL	Bronze	—	—	20
S500WHE-RL	White	—	—	20
Gasketed				
S500EG	Silver	150W• PAR 38 or R40	Heavy-duty slip-on gasket and ground screw	20
Deep-shielded				
L-800	Silver	150W• PAR 38 or R40	Inside gasket and ground screw	4
Wireguard				
LG-80	Silver	—	Mounts to L-80 series lampholder	6



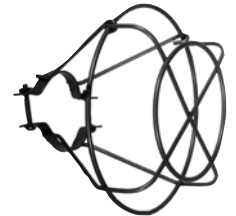
S500E-RL



S500EG



L-800



LG-80

Spike lights

Portable mount

For use with 150-watt lamp

- Lampholders are heavy-duty die-cast construction
- Lampholders have powder-coat green finish
- Current-carrying components are copper or copper alloy and sockets are porcelain
- Factory wired

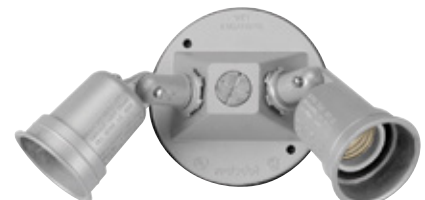
Portable spotlights

Cat. No.	Color	Lamp max.	Description	Std. ctn.
K780BR	Bronze	150W• PAR 38 or R40	Deep-shielded lampholder, ground spike, wall bracket, gasket and screws	4



Decorative floodlight

Cat. No.	Color	Lamp max.	Description	Std. ctn.
S513E-RL	Silver	150W• PAR 38	Two lampholders round cover, or R40 inside ground screws	8



Weatherproof metallic lampholders

Lampholders and assemblies

Use with medium-base PAR lamps to 150 watts.

Hooded lampholders

- Heavy-duty die-cast zinc lampholder
- Corrosion-resistant aluminum hood
- Factory provided with a 3-wire, 8" pre-stripped lead

Cat. No.	Color	Description	Std. ctn.
WH90	Silver	5 1/2" diameter hood	6



WH90

Gasket

Cat. No.	Color	Description	Std. ctn.
S626E-SR	Black	Heat-resistant sealing gasket	15



Adapters

- Heavy-duty die cast construction
- Natural cast finish

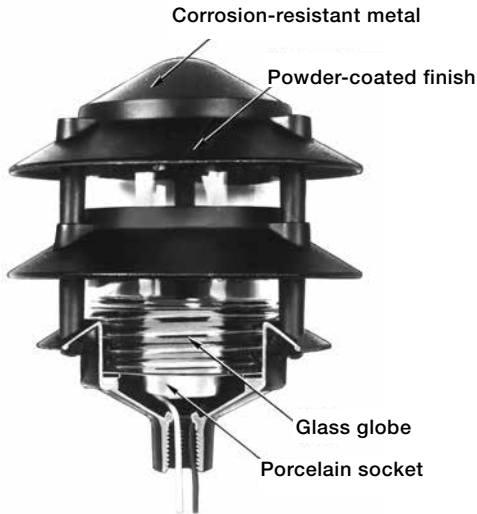
Cat. No.	Color	Description	Std. ctn.
AD11-2	Silver	"Y" Adapter—converts one outlet to two—1/2" threads	10

UL Listed E-51763



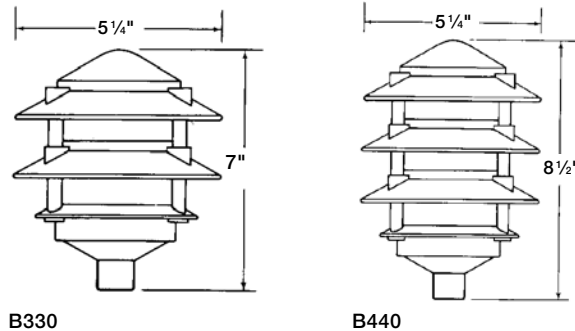
Outdoor lighting

Sitelight® landscape lights



Sample Specifications:

- Fixture shall be certified die-cast zinc alloy ZAMAK 3; socket shall be porcelain, center contact and replaceable; socket shall have extended leads for easy wiring; fixture shall be Red•Dot® Dry-Tite™
- Catalog No. _____



Applications:

- Lighting for walkways, paths or driveways
- Accent lighting for garden and terrace areas
- Ground-level security lighting

Features/Benefits:

- Certified zinc alloy provides increased corrosion resistance
- High-quality replaceable porcelain socket with high-temperature leads enables easy field maintenance

Standard materials:

- Fixture: Die-cast zinc alloy ZAMAK 3
- Globe: Lime crystal glass
- Socket: Center contact, porcelain, medium base

Standard finish:

- Green powder-coated finish
- Bronze powder-coated finish

Compliances:

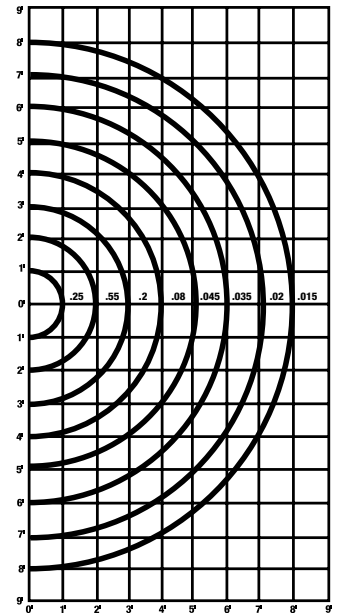
- UL® Listed
- Suitable for use in wet locations

Photometrics:

Based on lamp center 24" above ground

Based on 100-Watt A-19 inside-frosted 1750-lumen lamp. For other wattage see table below.

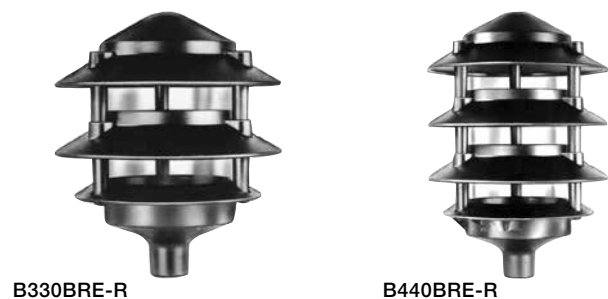
Wattage	Multiplier
100	1.0
75	.68
60	.44
50	.27
40	.26
25	.13



Iso Foot Candles

Cat. No.	Color	Lamp max.	Description	Std. ctn.
Three tier				
B330BRE-R	Bronze	75	12" extended leads, gasket and ground screw globe	4
VGL-075	Clear	75	Glass globe	1
Four tier				
B440BRE-R	Bronze	75	12" extended leads, gasket and ground screw globe	4
VGL-01	Clear	75	Glass globe	6

Note: Lamp not included.



Outdoor lighting

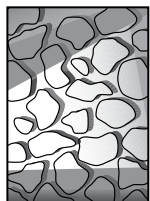
Sitelight® landscape lights

Step up to SiteLight® line voltage outdoor lighting

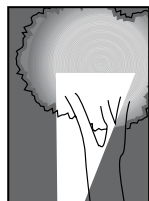
Planning your outdoor lighting

On graph paper, outline your home and grounds. Indicate key features you wish to highlight such as stairways, statuary, shrubbery or flowering plants. SiteLight Spot lights and swivel lights provide focused illumination to showcase these areas.

The diagrams below show how you can achieve three special lighting effects with SiteLight spot lights and swivel lights.



Grazing from side or bottom to show texture



Uplighting from below makes details stand out



Silhouetting from behind provides drama

For decks, post sconce lights mounted on deck posts provide glare-free perimeter lighting and mid-stair lighting. Post Top Lights are ideal for lighting stairs and rails.

Use SiteLight path lights and swivel lights for pathways, driveways and general garden lighting. The chart below will help you determine fixture spacing.

Bright and even	Medium dappled	Soft mood
8'-10'	12'-18'	Over 20'

SiteLight line voltage outdoor lighting

For outdoor lighting, nothing compares to the full power (120V) and beauty of SiteLight. SiteLight uses regular household voltage and standard bulbs that are readily available. There are no expensive transformers to purchase or replace. With SiteLight®, you can add fixtures when and where you want them and still enjoy lighting that is up to five times brighter than low-voltage.

Use SiteLight to highlight gardens, statuary, shrubbery and to effectively light decks, stairs, pathways, pools and driveways. SiteLight meets every outdoor lighting need...from soft, indirect deck lighting, to brilliant, focused spot lighting. Use SiteLight to beautify your property while enhancing safety and security.

Step up to SiteLight line voltage outdoor lighting and add permanent value to your home.



Compare SiteLight to low-voltage sets

- SiteLight is up to five times brighter than low-voltage—more light with fewer fixtures than with low-voltage sets
- SiteLight gives you flexibility in spacing, the number of fixtures and the length-of-run. Light where you need it—low-voltage sets have a fixed limit on length-of-run and the number of fixtures
- SiteLight uses regular household current—no expensive low-voltage transformer to purchase or replace
- SiteLight uses readily available, standard bulbs—low-voltage bulbs are often found only where sets are sold
- SiteLight lets you add on fixtures by tapping into run—low-voltage sets will generate even less light if transformers are at capacity

SiteLight meets every outdoor lighting need

- From soft, indirect deck lighting to brilliant, focused spot lighting, use SiteLight to beautify any property while enhancing safety and security
- Lighting for walkways, pathways and driveways
- Stairway, perimeter and task lighting for decks
- Accent and ambient lighting for pool/patio and garden areas
- Highlighting to emphasize landscape details or specific objects
- Ground-level safety/security lighting to illuminate dark areas

Outdoor lighting

Sitelight® landscape lights

We've made installation easy

Everything you need is included in the SiteLight® Kit, except a bulb, supply cable and tools (screwdriver, wire strippers, etc.). Only three connections are required to wire each fixture to the supply cable. With the SiteLight PVC in-ground mounting tube, there is no need to pour concrete to secure the fixtures. Just position the tube and pack dirt around it. Attach your SiteLight® to the mounting tube and your installation is complete.

SiteLight is designed for a lifetime of trouble-free use. SiteLight is high-quality, permanent lighting built to add value and beauty to your home.

Applications:

- Lighting for walkways, pathways and driveways
- Stairway, perimeter and task lighting for decks
- Accent and ambient lighting for pool/patio and garden areas
- Highlighting to emphasize landscape details or specific objects
- Ground-level safety/security lighting to illuminate dark areas

Features/Benefits:

- Copper-free* aluminum construction provides increased corrosion resistance
- Sturdy die-cast aluminum construction provides durability
- Architectural bronze color blends into landscape and deck areas
- High-quality, replaceable porcelain socket with brass screw shell (except K851BR, K852BR)
- Aluminum mounting tube cap houses and protects wire connection (ground-installed fixtures)
- PVC ground tube provides an innovative installation method saving costly labor and traditional installation materials (ground-installed fixtures)
- Wire connectors and ground wire enable safe, easy connections
- Tempered glass lens and silicon gaskets keep socket dry (K831BR, CS841BR, K861BR)
- Positive locking arm can be adjusted to the desired position (K831BR, CS841BR, K861BR)
- Fixtures use regular household voltage (120V)

Standard materials:

- Fixture: Die-cast aluminum alloy A360 with less than .004% copper content (copper free*)
- Lens: Tempered glass (K831BR, CS841BR, K861BR)
- Lens: Polycarbonate (K811BR, K812BR, K821BR, K822BR, K851BR)
- Socket: Porcelain, center contact, brass screw shell, medium base (K811BR, K812BR, K821BR, K822BR, K831BR, CS841BR, K861BR), molded plastic socket with candelabra base (K851BR and K852BR)
- Mounting Tube: Gray PVC, schedule 40 (ground-installed fixtures)

Standard finish:

- Bronze powder-coated finish

* Less than .004% copper content

Compliances:

- UL Listed
- Suitable for use in wet locations
- Ground mounting (suitable for use 4' or less above grade level) except K852BR and K861BR

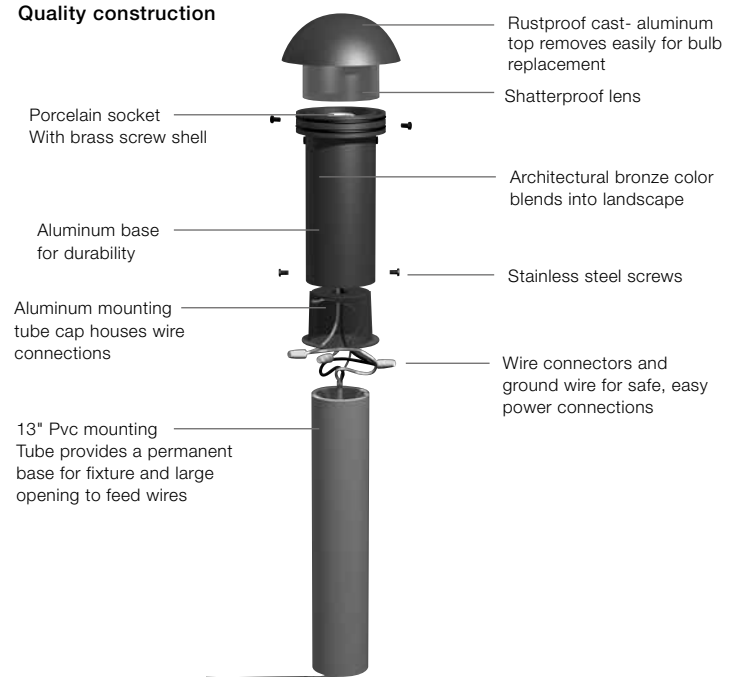
Sample specifications:

- Fixture shall be die-cast copper-free* aluminum alloy A360, with bronze powder-coated finish. Sockets shall be porcelain, center contact, brass screw shell-medium base for K811BR, K812BR, K821BR, K822BR, K831BR, K841BR and K861BR fixtures. Sockets shall be molded plastic with candelabra screw base for K851BR and K852BR fixtures. All sockets shall have extended leads for easy wiring.

Easy to install:

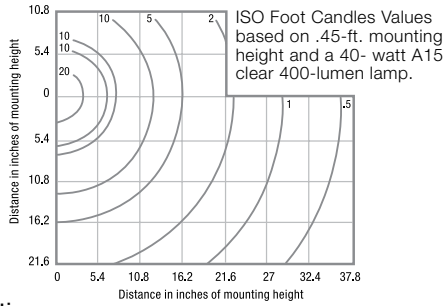
- Only three wire connections per fixture are required
- No need to pour concrete
- All connections are made above ground

Quality construction



Outdoor lighting

Sitelight® landscape lights

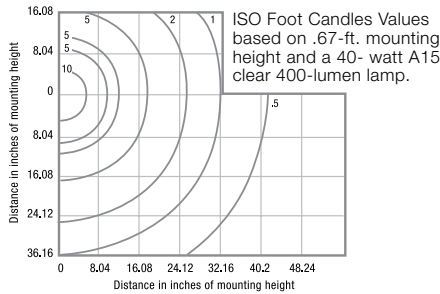


K812BR, 7.5" Height Option

7.5"/10" Path light—See pages 33–34 for specifications

Cat. No.	Description	Lamp required	Spacing	Color	Std. ctn.
K812BR	7.5"/10" Path light with 13" x 2" schedule 40 PVC mounting tube	A15 40W (max.)/120V medium base	8'-10' apart: bright and even, 12'-18' apart: medium dappled, 20' or more: soft mood	Bronze	4

Note: Fixture can be configured for either height—extension sleeve included.

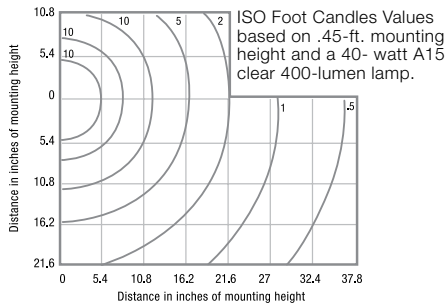


K812BR, 10" Height Option

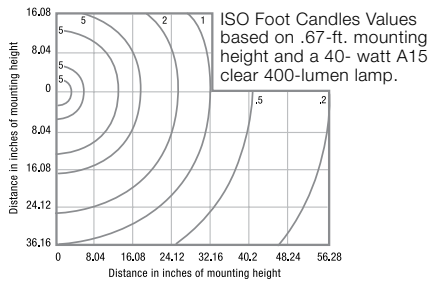
7.5"/10" Path light—See pages 35–36 for specifications

Cat. No.	Description	Lamp required	Spacing	Color	Std. ctn.
K822BR	7.5"/10" Path light with 13" x 2" schedule 40 PVC mounting tube	A15 40W (max.)/120V medium base	8'-10' apart: bright and even, 12'-18' apart: medium dappled, 20' or more: soft mood	Bronze	4

Note: Fixture can be configured for either height—extension sleeve included.



K822BR, 7.5" Height Option



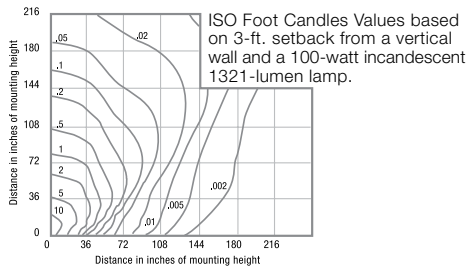
K822BR, 10" Height Option

Outdoor lighting

Sitelight® landscape lights



CS841BR

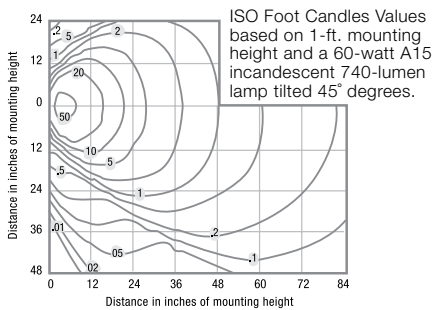


Ground spot light—See page 37 for specifications

Cat. No.	Description	Lamp required	Spacing	Color	Std. ctn.
CS841BR	Ground spot light with 13" x 2" schedule 40 PVC mounting tube	R20 100W (max.)/ 120V medium base	One to two for each object to be highlighted or as required for special lighting effects	Bronze	4



K831BR

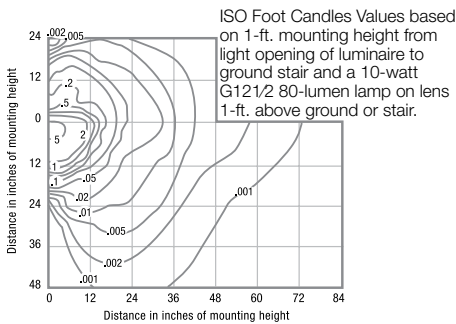


17.5" Swivel light—See page 38 for specifications

Cat. No.	Description	Lamp required	Spacing	Color	Std. ctn.
K831BR	17.5" Swivel light with 13" x 2" schedule 40 PVC mounting tube	General lighting: A15 60W (max.)/ 120V medium base spot lighting: R16 60W (max.)/ 120V medium base	General lighting: 8'-10' apart: bright and even, 12'-18' apart: medium dappled, 20' or more: soft mood, spot lighting: one to two for each object to be highlighted	Bronze	4



K851BR

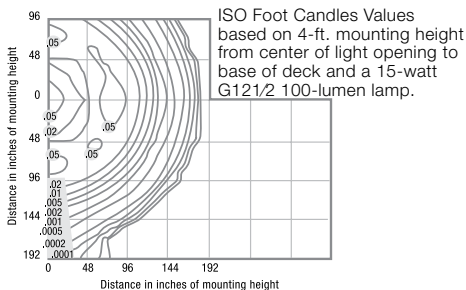


Post sconce light—See page 39 for specifications

Cat. No.	Description	Lamp required	Spacing	Color	Std. ctn.
K851BR	Post sconce light with metal black plate and mounting hardware	G12½ 10W (max.)/ 120V candelabra base	On each post or every other post depending on desired brightness, mounts to standard 4 x 4 post	Bronze	6



K852BR



Post top light—See page 40 for specifications

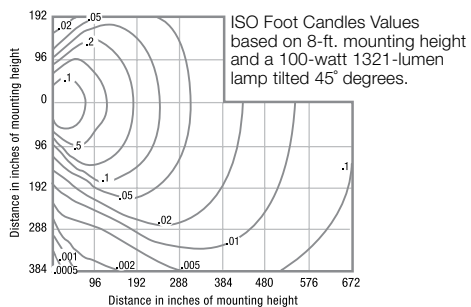
Cat. No.	Description	Lamp required	Spacing	Color	Std. ctn.
K852BR	Post top light with metal black plate and mounting hardware	G12½ 10W (max.)/ 120V candelabra base	On each post or every other post depending on desired brightness, mounts to standard 4 x 4 post	Bronze	6

Outdoor lighting

Sitelight® landscape lights



K861BR



Wall spot— See page 41 for specifications

Cat. No.	Description	Lamp required	Spacing	Color	Std. ctn.
K861BR	Wall spot with cover (box not included)	R20 100W (max.)/ 120V medium base	One to two on most average size decks or exterior walls	Bronze	6



K805BR-8

Accessories

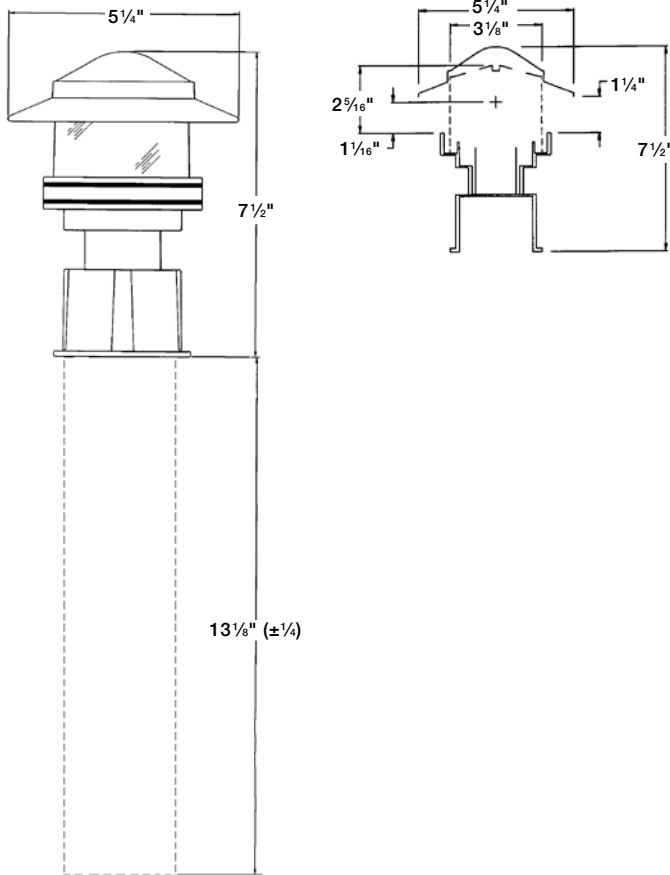
Cat. No.	Description	Color	Std. ctn.
K805BR-8	Mounting tube and cap	Silver tube/bronze cap	8

Outdoor lighting

K812BR specifications

Dimensions

- 7.5" height option



See following page for 10" height.

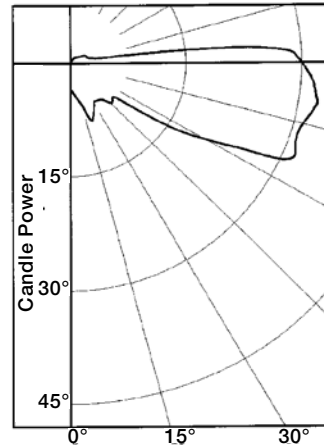
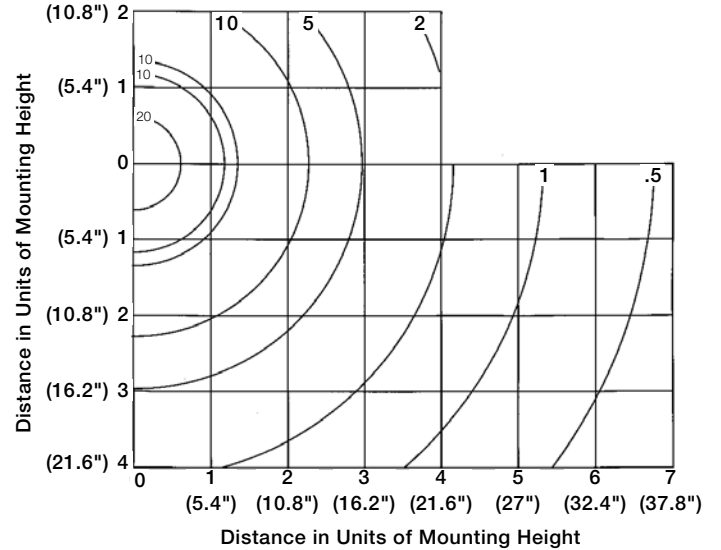
Zonal lumen summary

Zone deg.	Lumens	Percent of lamp output based on 400 lumens	Percent of total output
0-30	5	1.4	3.6
0-40	9	2.3	6.2
0-60	26	6.4	17.1
0-90	121	30.2	80.7
90-120	26	6.5	17.4
90-130	27	6.8	18.3
90-150	29	7.2	19.3
90-180	29	7.2	19.3
0-180	150	37.4	100.0

Note: Total luminaire efficiency=37.4%.

ISO foot candles

- Values based on .45 (5.4") foot mounting height and a 40-watt A15 clear 400-lumen lamp.



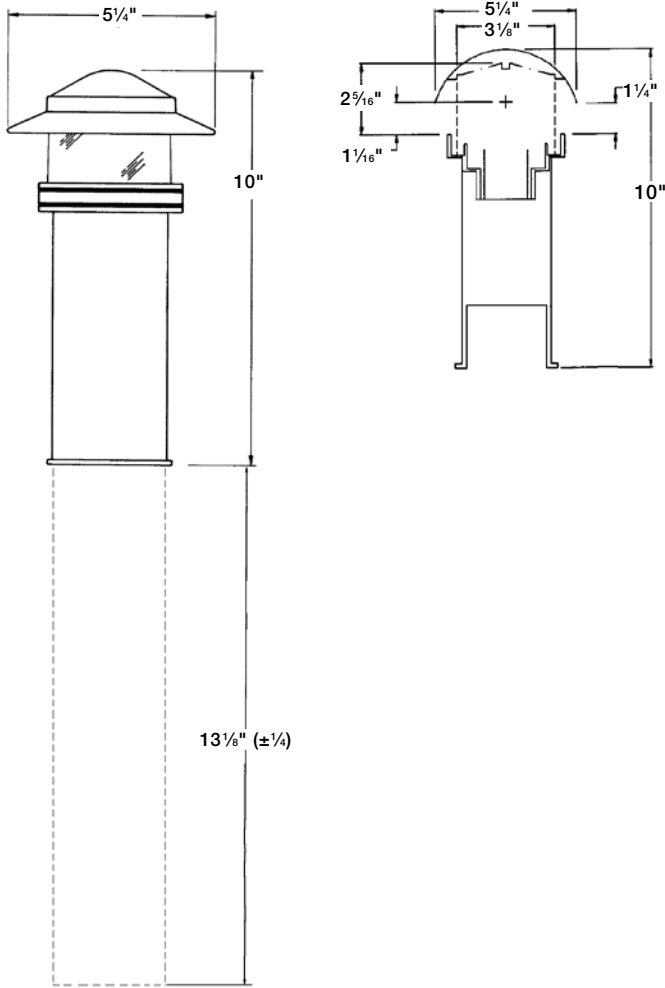
Deg	Candela	Lumens
0	4	—
5	4	0
15	6	2
25	7	3
35	6	4
45	7	5
55	11	11
65	30	28
75	31	33
85	32	34
90	30	—
95	24	21
105	3	3
115	2	2
125	2	2
135	1	1
145	1	1
155	0	0
165	0	0
175	0	0
180	0	—

Outdoor lighting

K812BR specifications

Dimensions

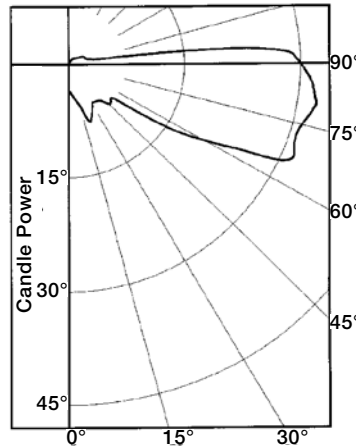
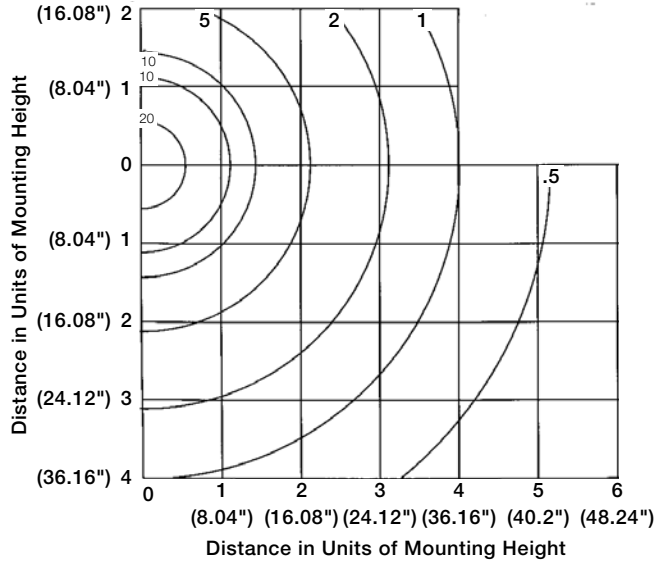
- 10" height option



See previous page for 7.5" height.

ISO foot candles

- Values based on .67 (8.04") foot mounting height and a 40-watt A15 clear 400-lumen lamp.



Deg	Candela	Lumens
0	4	—
5	4	0
15	6	2
25	7	3
35	6	4
45	7	5
55	11	11
65	30	28
75	31	33
85	32	34
90	30	—
95	24	21
105	3	3
115	2	2
125	2	2
135	1	1
145	1	1
155	0	0
165	0	0
175	0	0
180	0	—

Zonal lumen summary

Zone deg.	Lumens	Percent of lamp output based on 400 lumens	Percent of total output
0-30	5	1.4	3.6
0-40	9	2.3	6.2
0-60	26	6.4	17.1
0-90	121	30.2	80.7
90-120	26	6.5	17.4
90-130	27	6.8	18.3
90-150	29	7.2	19.3
90-180	29	7.2	19.3
0-180	150	37.4	100.0

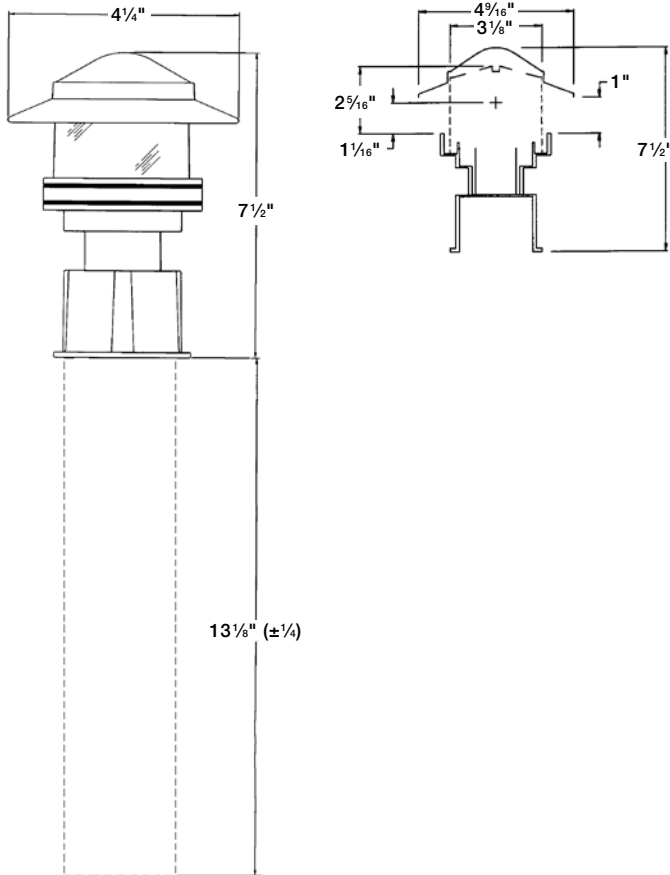
Note: Total luminaire efficiency=37.4%.

Outdoor lighting

K822BR specifications

Dimensions

- 7.5" height option



See following page for 10" height.

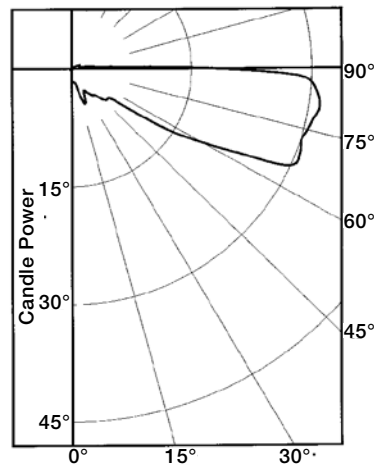
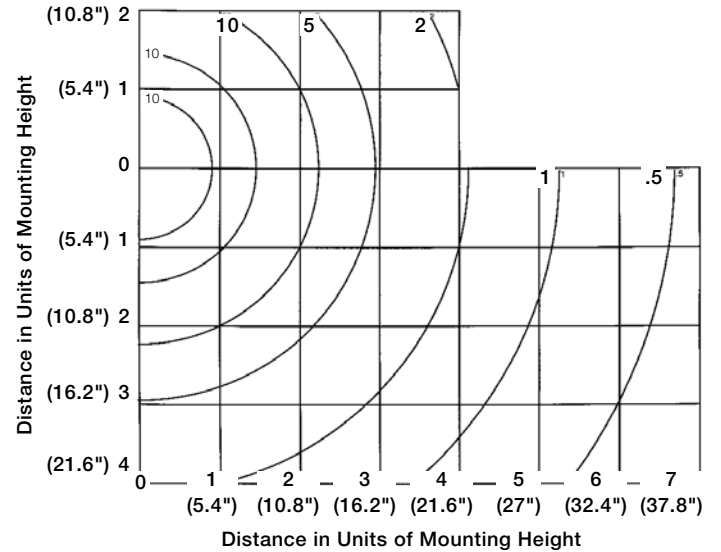
Zonal lumen summary

Zone deg.	Lumens	Percent of lamp output based on 400 lumens	Percent of total output
0-30	3	0.7	2.4
0-40	5	1.3	4.5
0-60	19	4.8	16.3
0-90	111	27.8	94.6
90-120	6	1.5	5.2
90-130	6	1.6	5.4
90-150	6	1.6	5.4
90-180	6	1.6	5.4
0-180	118	29.4	100.0

Note: Total luminaire efficiency=29.4%.

ISO foot candles

- Values based on .45 (5.4") foot mounting height and a 40-watt A15 clear 400-lumen lamp.



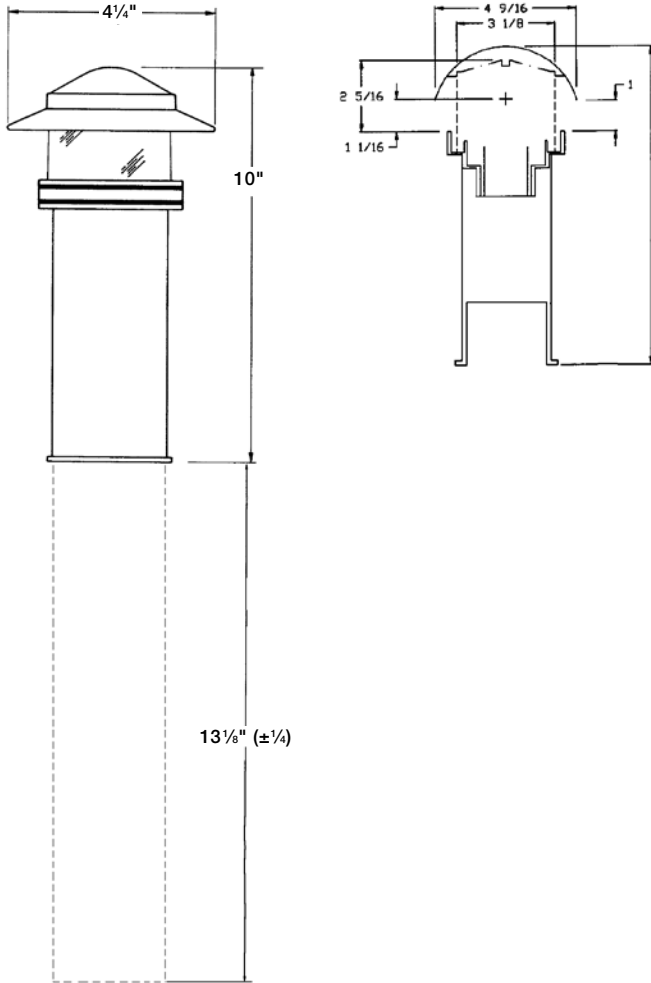
Deg	Candela	Lumens
0	2	—
5	2	0
15	3	1
25	4	2
35	4	2
45	6	4
55	10	10
65	29	27
75	31	32
85	31	33
90	22	—
95	3	4
105	1	1
115	1	0
125	0	0
135	0	0
145	0	0
155	0	0
165	0	0
175	0	0
180	0	—

Outdoor lighting

K822BR specifications

Dimensions

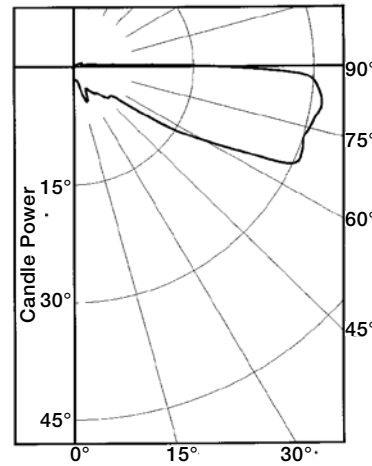
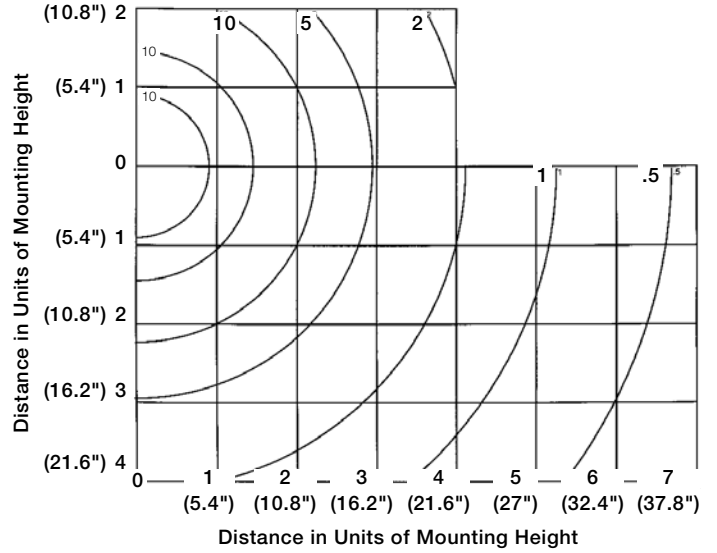
- 10" height option



See previous page for 7.5" height.

ISO foot candles

- Values based on .67 (8.04") foot mounting height and a 40-watt A15 clear 400-lumen lamp.



Deg	Candela	Lumens
0	2	—
5	2	0
15	3	1
25	4	2
35	4	2
45	6	4
55	10	10
65	29	27
75	31	32
85	31	33
90	22	—
95	3	4
105	1	1
115	1	0
125	0	0
135	0	0
145	0	0
155	0	0
165	0	0
175	0	0
180	0	—

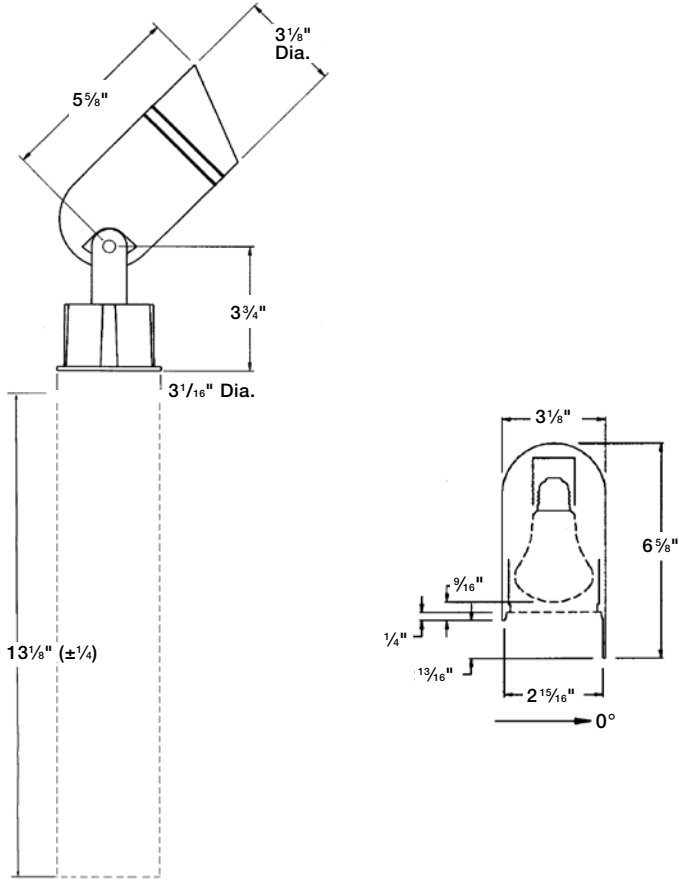
Zonal lumen summary

Zone deg.	Lumens	Percent of lamp output based on 400 lumens	Percent of total output
0-30	3	0.7	2.4
0-40	5	1.3	4.5
0-60	19	4.8	16.3
0-90	111	27.8	94.6
90-120	6	1.5	5.2
90-130	6	1.6	5.4
90-150	6	1.6	5.4
90-180	6	1.6	5.4
0-180	118	29.4	100.0

Note: Total luminaire efficiency=29.4%.

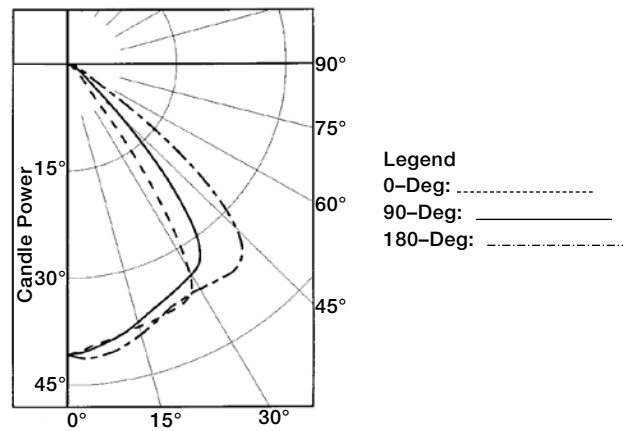
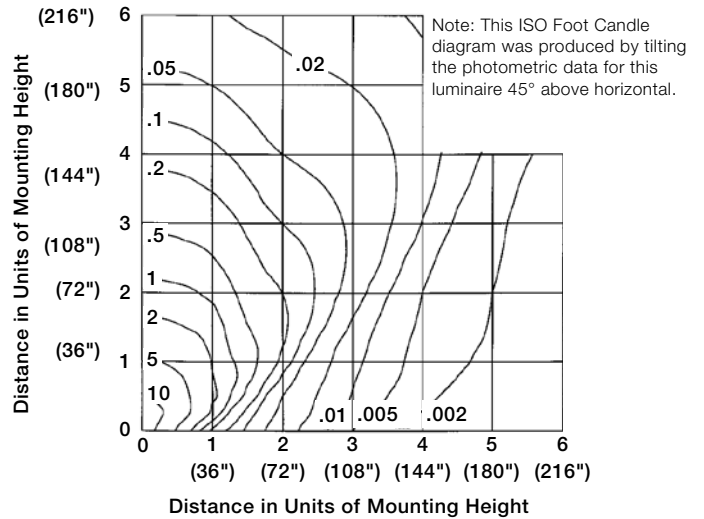
Outdoor lighting CS841BR specifications

Dimensions



ISO foot candles

- Values based on 3 (36") foot setback from a vertical wall and a 100-watt incandescent 1321-lumen lamp.



Zonal lumen summary

Zone deg.	Lumens	Percent of lamp output based on 400 lumens	Percent of total output
0-30	104	7.9	47.7
0-40	165	12.5	75.3
0-60	214	16.2	97.7
0-90	219	16.6	100.0
90-120	0	0.0	0.0
90-130	0	0.0	0.0
90-150	0	0.0	0.0
90-180	0	0.0	0.0
0-180	219	16.6	100.0

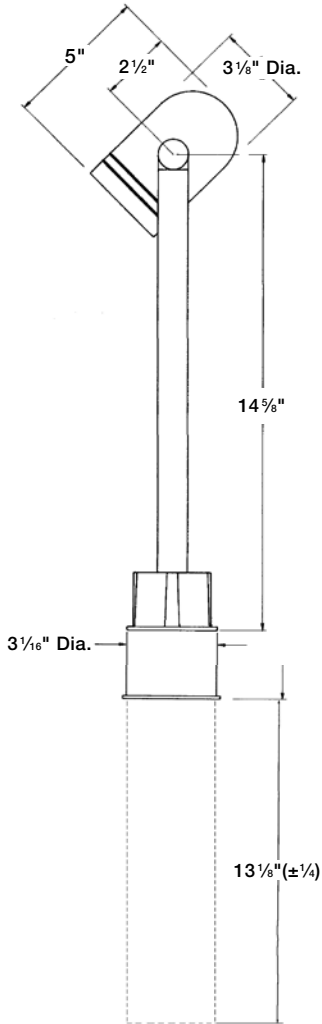
Note: Total luminaire efficiency=16.6%.

Vertical degrees	Candela distribution horizontal degrees					
	0.0	45.0	90.0	135.0	180.0	Flux
0	136	136	136	136	136	—
5	132	132	133	136	138	13
15	127	124	125	128	131	36
25	124	121	117	126	122	56
35	58	77	106	125	122	61
45	9	12	35	93	109	37
55	5	6	9	14	31	11
65	0	1	4	6	8	4
75	0	0	0	2	3	1
85	0	0	0	0	1	0
90	0	0	0	0	1	—

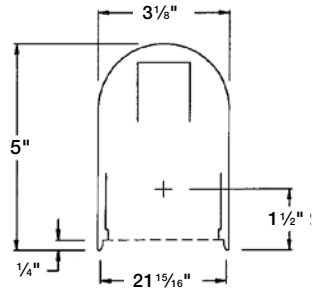
Outdoor lighting

K831BR specifications

Dimensions

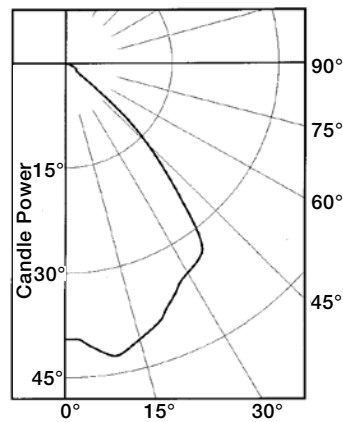
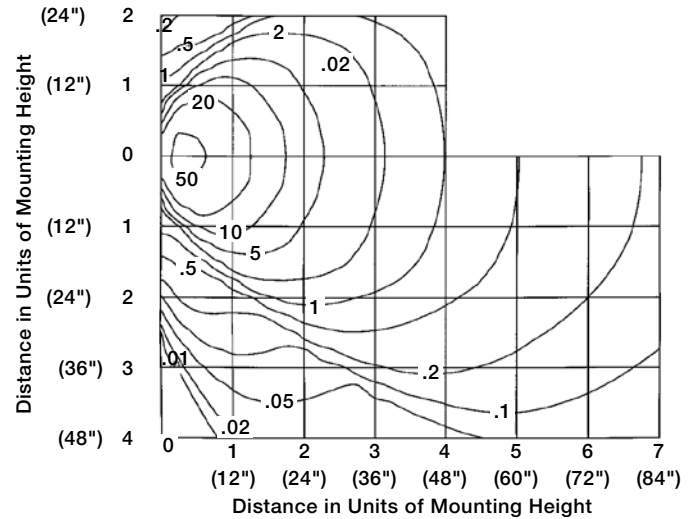


General Lighting



ISO foot candles

- Values based on 1 (12") foot mounting height and a 60-watt A15 incandescent 740-lumen lamp tilted 45°.



Zonal lumen summary

Zone deg.	Lumens	Percent of lamp output based on 400 lumens	Percent of total output
0-30	65	8.7	47.2
0-40	105	14.2	77.0
0-60	134	18.1	97.7
0-90	137	18.5	100.0
90-180	0	0.0	0.0
0-180	137	18.5	100.0

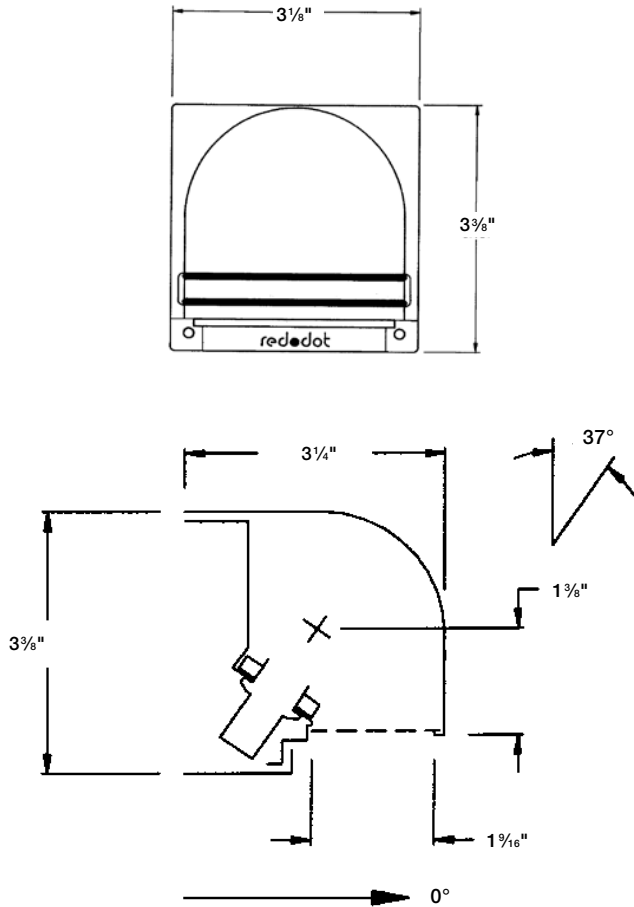
Note: Total luminaire efficiency=18.5%.

Deg	Candela	Lumens
0	19	—
5	81	8
15	82	23
25	73	34
35	67	41
45	33	25
55	4	3
75	0	0
85	0	0
90	0	—

Outdoor lighting

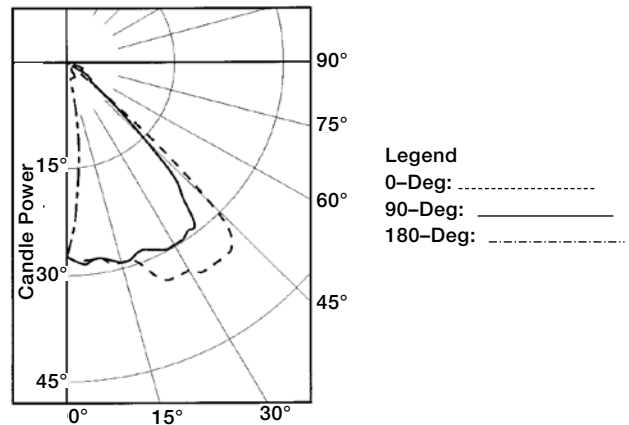
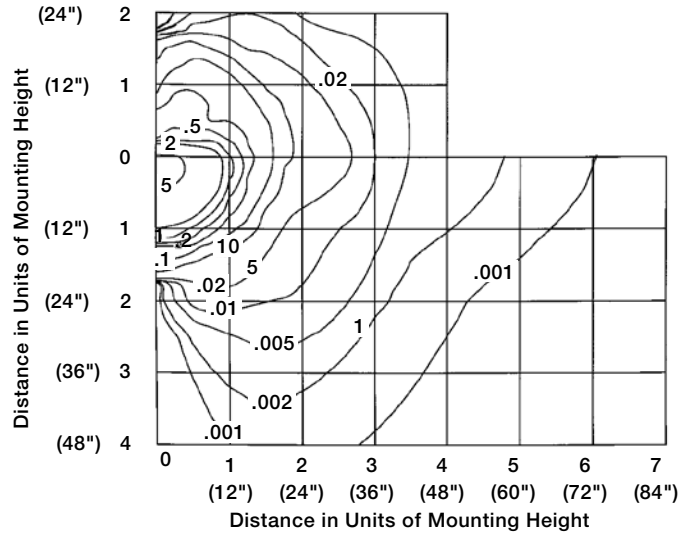
K851BR specifications

Dimensions



ISO foot candles

- Values based on 1 (12") foot mounting height from light opening of luminaire to ground stair and a 10-watt G12½ 80-lumen lamp on lens 1-ft. above ground or stair.



Zonal lumen summary

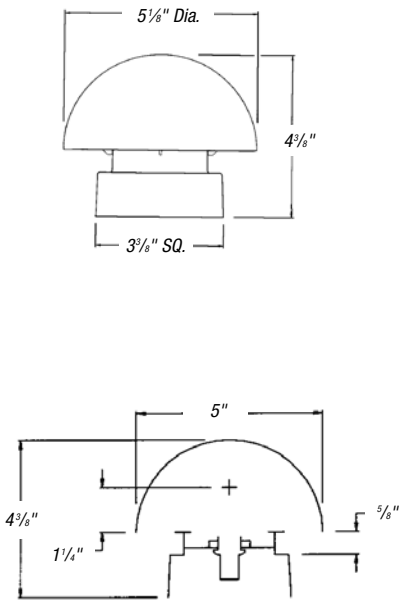
Zone deg.	Lumens	Percent of lamp output based on 400 lumens	Percent of total output
0-30	4	4.5	38.7
0-40	6	7.7	66.3
0-60	9	11.0	94.3
0-90	9	11.6	100.0
90-180	0	0.0	0.0
0-180	9	11.6	100.0

Note: Total luminaire efficiency=11.6%.

	Candela distribution horizontal degrees					
	0.0	45.0	90.0	135.0	180.0	Flux
0	5	5	5	5	5	—
5	6	6	6	5	3	0
15	6	6	6	2	0	1
25	7	7	6	1	0	2
35	7	7	6	1	0	3
45	6	5	3	1	0	2
55	0	1	1	1	0	1
65	0	0	0	0	0	0
75	0	0	0	0	0	0
85	0	0	0	0	0	0
90	0	0	0	0	0	—

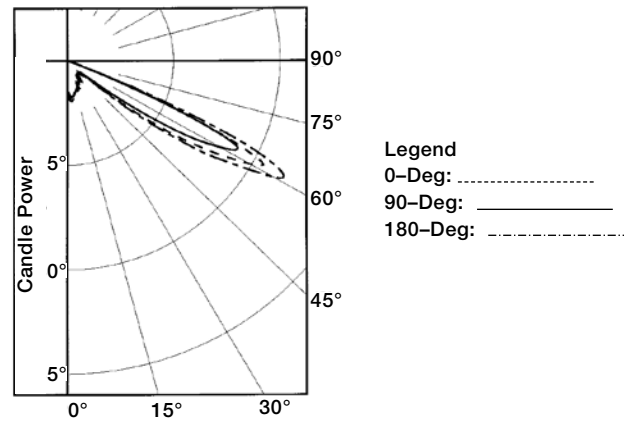
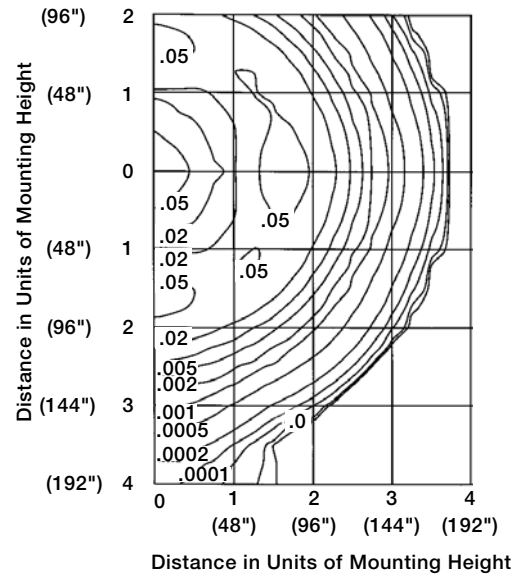
Outdoor lighting K852BR specifications

Dimensions



ISO foot candles

- Values based on 4 (48") foot mounting height from center of light opening to base of deck and a 15-watt G16½ 100-lumen lamp.



Zonal lumen summary

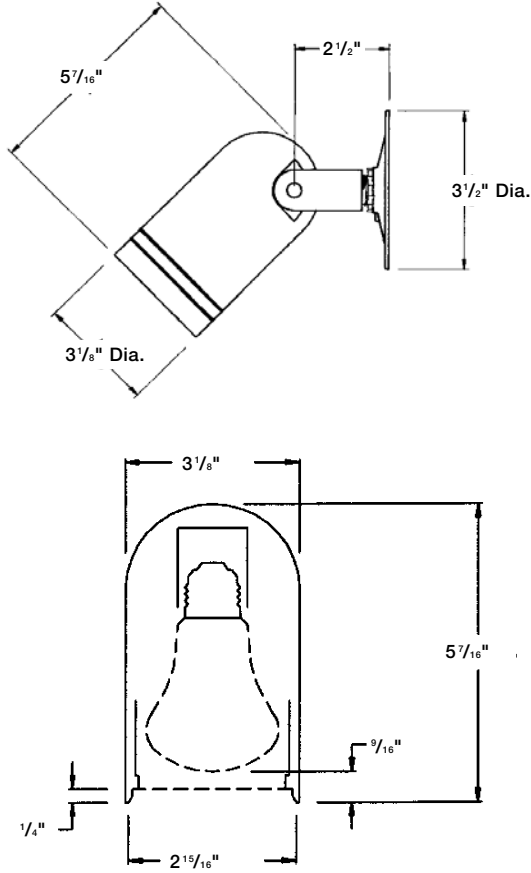
Zone deg.	Lumens	Percent of lamp output based on 400 lumens	Percent of total output
0-30	1	0.9	8.7
0-40	1	1.3	12.8
0-60	5	5.5	52.7
0-90	10	10.4	100.0
90-180	0	0.0	0.0
0-180	10	10.4	100.0

Vertical degrees	Candela distribution horizontal degrees					
	0.0	45.0	90.0	135.0	180.0	Flux
0	1	1	1	1	1	—
5	2	1	1	1	1	0
15	1	1	1	1	1	0
25	1	1	1	1	1	0
35	1	1	1	1	1	0
45	1	1	1	1	1	1
55	5	3	3	4	6	4
65	6	5	5	5	7	5
75	0	0	0	0	0	0
85	0	0	0	0	0	0
90	0	0	0	0	0	—

Outdoor lighting

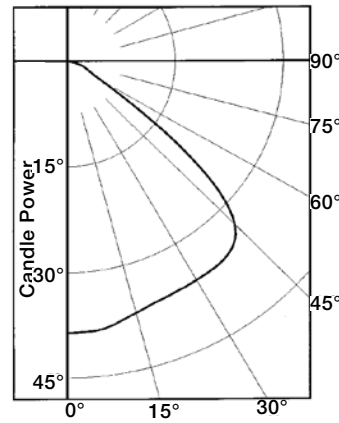
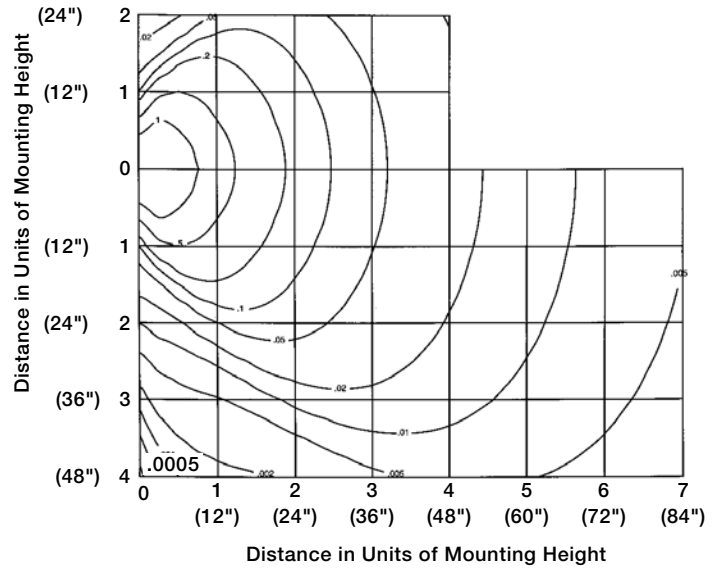
K861BR specifications

Dimensions



ISO foot candles

- Values based on 8 (96") foot mounting height and a 100-watt 1321-lumen lamp tilted 45°



Zonal lumen summary

Zone deg.	Lumens	Percent of lamp output based on 400 lumens	Percent of total output
0-30	103	7.8	32.4
0-40	177	13.4	56.0
0-60	301	22.8	94.9
0-90	317	24.0	100.0
90-180	0	0.0	0.0
0-180	317	24.0	100.0

Note: Total luminaire efficiency=11.6%.

Deg	Candela	Lumens
0	128	—
5	128	12
15	123	35
25	120	56
35	119	75
45	109	83
55	44	41
75	5	5
85	0	0
90	0	—

Vaportight lighting

Industrial vaportight lighting

Applications:

- Low-maintenance indoor/outdoor lighting where moisture, dirt, dust, corrosion and rough service are problems
- Low-profile fixture design for where low ceiling height presents a lighting problem
- To light cold storage facilities, walkways, bridges, tunnels and security locations
- Used with colored globes as warning, caution or directional lights; for 100- or 200-watt medium-base incandescent lamps

Features/Benefits:

- Copper-free* aluminum and stainless steel screws provide increased corrosion resistance
- Precision-cast and machined surfaces permit safer wire pulling
- Fully threaded glass globes prevent cross threading, ensuring a tight seal
- High-quality replaceable porcelain socket with high-temperature leads result in a long-lasting fixture
- Five mounting configurations packaged three different ways to suit all customer requirements
- Colored, heat-resistant and shatterproof LEXAN® globes available

Standard materials:

- Fixture and guards: Die-cast aluminum alloy A360 with less than .004% copper content (copper-free), and stainless steel screw
- Globe: Lime crystal glass
- Socket: Center contact, porcelain, medium base

Standard finish:

- Powder-coated finish

Compliances:

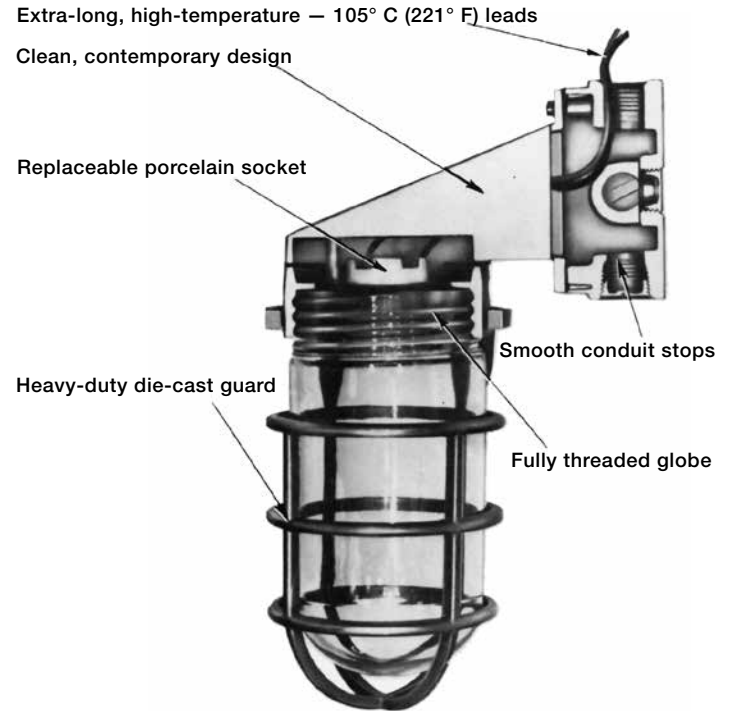
- UL Listed
- Suitable for use in wet locations only when oriented as shown (mounted with lamp base up and guard/globe down)

Sample specifications

- Fixture shall be die-cast copper-free* aluminum alloy A360
- All conduit stops shall be coined and free of rough edges.
- LEXAN® globes shall have full threads.
- Sockets shall be porcelain.
- Fixtures shall be finished with powder-coated paint.
- Fixtures shall be Red•Dot® Catalog No. _____

* Less than .004% copper content.

LEXAN® is a registered trademark of SABIC Innovative Plastics Company.



VAG-C



VKG-C



VWG-C



VXG-C



VXWG-C

Vaportight lighting

Indoor/outdoor lighting

Low-maintenance indoor/outdoor lighting where moisture, dirt, dust, corrosion and rough service are a problem.

- Compatible with incandescent and most self-ballasted compact fluorescent bulbs
- For indoor or outdoor use
- Fixture and guard die-cast copper-free aluminum, less than .004% copper content
- Available in components or complete fixture
- Low-silhouette incandescent vaportight
- Variety of mounting configurations
- UL Listed

Pendant Mount



VK-11

VKG-11

VKG-11-C

Cat. No.	Hub size (in.)	Max. watt	Description	Color	Std. ctn.
VK-11	1/2	100	Pendant Cap with Socket	Silver	6
VK-21	3/4	100	Screw Terminals, Gasket and Screws	Silver	6
VK-12	1/2	200		Silver	6
VK-22	3/4	200		Silver	6
VKG-11	1/2	100	Pendant Cap with Socket	Silver	6
VKG-21	3/4	100	Screw Terminals, Gasket	Silver	6
VKG-12	1/2	200	Screws and Globe	Silver	6
VKG-22	3/4	200		Silver	6
VKG-11-C	1/2	100	Pendant Cap with Socket	Silver	6
VKG-21-C	3/4	100	Screw Terminals, Gasket	Silver	6
VKG-12-C	1/2	200	Screws, Globe and Cast	Silver	6
VKG-22-C	3/4	200	Guard	Silver	6

Ceiling mount with adapter plate



VA-01

VAG-01

VAG-01-C

Cat. No.	Hub size (in.)	Max. watt	Description	Color	Std. ctn.
VA-01	—	100	Ceiling Outlet Box Cap with Socket with Leads, Gasket and Screws	Silver	6
VA-02	—	200		Silver	6
VAG-01	—	100	Ceiling Outlet Box Cap with Socket with Leads, Gasket, Screws and Globe	Silver	6
VAG-02	—	200		Silver	6
VAG-01-C	—	100	Ceiling Outlet Box Cap with Socket with Leads, Gasket, Screws, Globe and Cast	Silver	6
VAG-02-C	—	200	Guard	Silver	6

Ceiling mount cross feed (5 tapped holes)



VX-11

VXG-11

VXG-11-C

Cat. No.	Hub size (in.)	Max. watt	Description	Color	Std. ctn.
VX-11	1/2	100	Ceiling-Cross Feed Box with Gaskets, Socket with Leads, Screws, 4 Closure Plugs and Cast Mounting Lugs	Silver	6
VX-21	3/4	100		Silver	6
VX-12	1/2	200		Silver	6
VX-22	3/4	200		Silver	6
VXG-11	1/2	100	Ceiling-Cross Feed Box with Gaskets, Socket with Leads, Screws, 4 Closure Plugs and Cast Mounting Lugs and Globe	Silver	6
VXG-21	3/4	100		Silver	6
VXG-12	1/2	200		Silver	6
VXG-11-C	1/2	100	Ceiling-Cross Feed Box with Gaskets, Socket with Leads, Screws, 4 Closure Plugs, Cast	Silver	6
VXG-21-C	3/4	100	Mounting Lugs, Globe and	Silver	6
VXG-12-C	1/2	200	Cast Guard	Silver	6
VXG-22-C	3/4	200		Silver	6

Vaportight lighting

Indoor/outdoor lighting

Wall mount with adapter plate



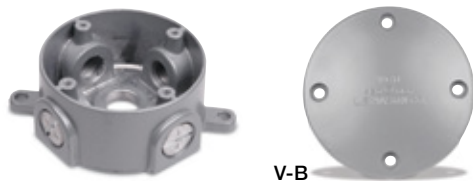
Cat. No.	Max. watt	Description	Color	Std. ctn.
VW-01	100	Wall mount unit with socket	Silver	6
VW-02	200	with leads, gaskets and screws	Silver	6
VWG-01	100	Wall mount unit with socket with leads,	Silver	6
VWG-02	200	gaskets and screws and globe	Silver	6
VWG-01-C	100	Wall mount unit with socket with leads,	Silver	6
VWG-02-C	200	gaskets, globe, screws and cast guard	Silver	6

Wall mount cross feed (5 tapped holes)



Cat. No.	Hub size (in.)	Max. watt	Description	Color	Std. ctn.
VXW-11	1/2	100	Wall mount cross feed with socket	Silver	6
VXW-21	3/4	100	with leads, gaskets, screws, 4 closure plugs and	Silver	6
VXW-12	1/2	200	cast mounting lugs	Silver	6
VXW-22	3/4	200		Silver	6
VXWG-11	1/2	100	Wall mount cross feed with socket	Silver	6
VXWG-21	3/4	100	with leads, gaskets, screws, 4 closure lugs and globe	Silver	6
VXWG-12	1/2	200		Silver	6
VXWG-22	3/4	200		Silver	6
VXWG-11-C	1/2	100	Wall mount cross feed with socket	Silver	6
VXWG-21-C	3/4	100	with leads, gaskets, screws, 4 closure plugs, cast	Silver	6
VXWG-12-C	1/2	200	mounting lugs, globe and cast guard	Silver	6
VXWG-22-C	3/4	200		Silver	6

Vaportight boxes and covers



Cat. No.	Max. watt	Description	Color	Std. ctn.
Boxes				
LVX-1	1/2	Box, 3 1/2" diameter, 1 5/8" deep, 5 tapped holes, 12.08 Cu. In. 4 closure plugs with cast mounting lugs	Silver	6
LVX-2	3/4		Silver	6
Cover				
V-B	None	Blank cover 3 1/2" diameter	Silver	5

Globes



Cat. No.	Max. watt	Color	Std. ctn.
Glass			
VGL-01	100	Clear	6
VGLA-01	100	Amber	6
VGLB-01	100	Blue	6
VGLG-01	100	Green	6
VGLR-01	100	Red	6
VGLH-01	150	Clear, heat resistant	6
VGL-02	200	Clear	6
VGLR-02	200	Red	6
VGLH-02	300	Clear, heat resistant	6
Lexan®			
VGLL-01	75	Clear prismatic	1
VGLL-02	150	Clear prismatic	1
VGLA-R1	75	Red	1

Not for use with guards. Note: For upright mounting only. Caution: In ordering LEXAN® Globe, wattage is rated 75% of standard globe size (i.e. VGLL-02 is for use on 200-watt fixtures, but only rated for 150-watt lamps.)

Guards



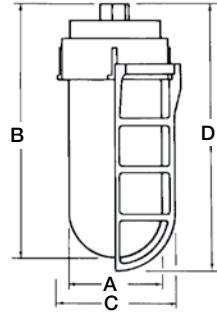
Cat. No.	Max. watt	Description	Color	Std. ctn.
Wire				
VGW-01	100	Clamp on plated steel guards	Silver	1
VGW-02	200		Silver	1
Die cast				
VGD-01	100	Die-cast aluminum guards	Silver	6
VGD-02	200	with positive locking screws	Silver	6

Vaportight lighting

Indoor/outdoor lighting

VKG

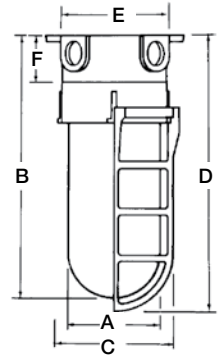
Cat. No.	A (in.)	B (in.)	C (in.)	D (in.)
VKG-11	3 $\frac{3}{8}$	8 $\frac{3}{16}$	—	—
VKG-21	3 $\frac{3}{8}$	8 $\frac{3}{16}$	—	—
VKG-12	4 $\frac{3}{8}$	10 $\frac{1}{8}$	—	—
VKG-22	4 $\frac{3}{8}$	10 $\frac{1}{8}$	—	—
VKG-11-C	—	—	4 $\frac{1}{16}$	8 $\frac{3}{4}$
VKG-21-C	—	—	4 $\frac{1}{16}$	8 $\frac{3}{4}$
VKG-12-C	—	—	5 $\frac{1}{4}$	10 $\frac{3}{8}$
VKG-22-C	—	—	5 $\frac{1}{4}$	10 $\frac{3}{8}$



Pendant Mount (VKG)

VXG

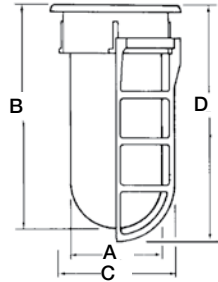
Cat. No.	A (in.)	B (in.)	E (in.)	F (in.)
VXG-11	3 $\frac{3}{8}$	8 $\frac{13}{16}$	3 $\frac{1}{2}$	1 $\frac{5}{8}$
VXG-21	3 $\frac{3}{8}$	8 $\frac{13}{16}$	3 $\frac{1}{2}$	1 $\frac{5}{8}$
VXG-12	4 $\frac{3}{8}$	10 $\frac{3}{4}$	3 $\frac{1}{2}$	1 $\frac{5}{8}$
VXG-22	4 $\frac{3}{8}$	10 $\frac{3}{4}$	3 $\frac{1}{2}$	1 $\frac{5}{8}$
Cat. No.	C (in.)	D (in.)		
VXG-11-C	4 $\frac{1}{16}$	9 $\frac{5}{16}$		
VXG-21-C	4 $\frac{1}{16}$	9 $\frac{5}{16}$		
VXG-12-C	5 $\frac{1}{4}$	11 $\frac{3}{16}$		
VXG-22-C	5 $\frac{1}{4}$	11 $\frac{3}{16}$		



Ceiling Mount Cross Feed (VXG)

VAG

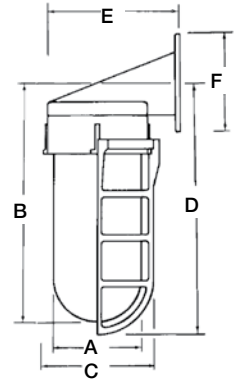
Cat. No.	A (in.)	B (in.)	C (in.)	D (in.)
VAG-01	3 $\frac{3}{8}$	7 $\frac{7}{16}$	—	—
VAG-02	4 $\frac{3}{8}$	9 $\frac{3}{8}$	—	—
VAG-01-C	—	—	4 $\frac{1}{16}$	7 $\frac{15}{16}$
VAG-02-C	—	—	5 $\frac{1}{4}$	9 $\frac{3}{8}$



Ceiling Mount (VAG)

VWG

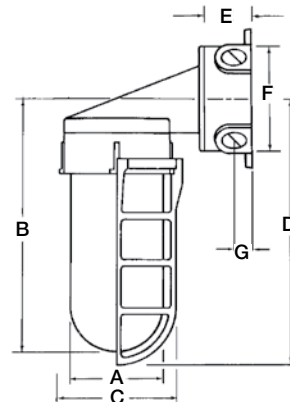
Cat. No.	A (in.)	B (in.)	E (in.)	F (in.)
VWG-01	3 $\frac{3}{8}$	8 $\frac{7}{16}$	3 $\frac{3}{4}$	3 $\frac{1}{2}$
VWG-02	4 $\frac{3}{8}$	10 $\frac{3}{8}$	5 $\frac{3}{4}$	3 $\frac{1}{2}$
Cat. No.	C (in.)	D (in.)		
VWG-01-C	4 $\frac{1}{16}$	8 $\frac{15}{16}$		
VWG-02-C	5 $\frac{1}{4}$	10 $\frac{13}{16}$		



Wall Mount (VWG)

VXWG

Cat. No.	Dimensions (in.)										
	A	B	C	D	E	F	G	H	I	J	Cl
VXWG-11	3 $\frac{3}{8}$	8 $\frac{7}{16}$	—	—	1 $\frac{5}{8}$	3 $\frac{1}{2}$	—	—	—	—	—
VXWG-21	3 $\frac{3}{8}$	8 $\frac{7}{16}$	—	—	1 $\frac{5}{8}$	3 $\frac{1}{2}$	—	—	—	—	—
VXWG-12	4 $\frac{3}{8}$	10 $\frac{3}{8}$	—	—	1 $\frac{5}{8}$	3 $\frac{1}{2}$	—	—	—	—	—
VXWG-22	4 $\frac{3}{8}$	10 $\frac{3}{8}$	—	—	1 $\frac{5}{8}$	3 $\frac{1}{2}$	—	—	—	—	—
VXWG-11-C	3 $\frac{3}{8}$	8 $\frac{7}{16}$	4 $\frac{1}{16}$	8 $\frac{19}{16}$	1 $\frac{5}{8}$	3 $\frac{1}{2}$	—	—	—	—	—
VXWG-21-C	3 $\frac{3}{8}$	8 $\frac{7}{16}$	4 $\frac{1}{16}$	8 $\frac{19}{16}$	1 $\frac{5}{8}$	3 $\frac{1}{2}$	—	—	—	—	—
VXWG-12-C	4 $\frac{3}{8}$	10 $\frac{3}{8}$	5 $\frac{3}{16}$	10 $\frac{13}{16}$	1 $\frac{5}{8}$	3 $\frac{1}{2}$	—	—	—	—	—
VXWG-22-C	4 $\frac{3}{8}$	10 $\frac{3}{8}$	5 $\frac{3}{16}$	10 $\frac{13}{16}$	1 $\frac{5}{8}$	3 $\frac{1}{2}$	—	—	—	—	—
LVX-1	—	—	—	—	1 $\frac{5}{8}$	3 $\frac{1}{2}$	$\frac{3}{8}$	5	4 $\frac{7}{16}$	2 $\frac{13}{16}$	10.3
LVX-2	—	—	—	—	1 $\frac{5}{8}$	3 $\frac{1}{2}$	$\frac{3}{8}$	5	4 $\frac{7}{16}$	2 $\frac{13}{16}$	10.3

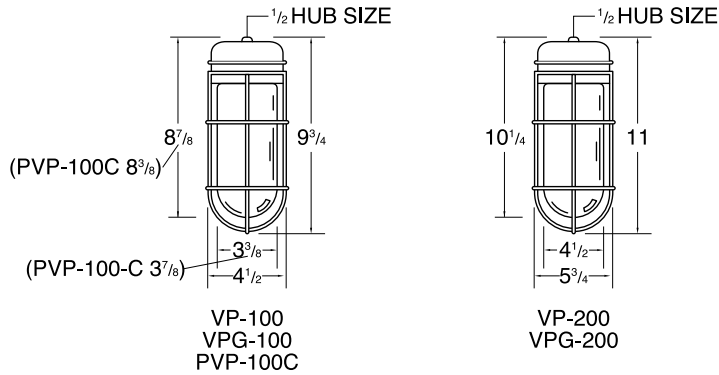


Wall Mount Cross Feed (VXWG)

Vaportight lighting

Indoor/outdoor lighting

Pendant fixtures

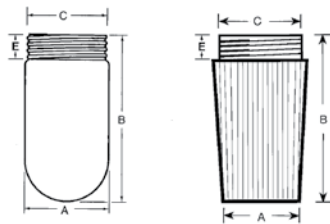


Cat. No.	Description	Max. watts	Packaging	
			Box	Std. ctn.
PVP-100C*	Fixture and Clear LEXAN® Globe	100	1	12
PVPG-100B	Fixture, Blue LEXAN® Globe, Guard	100	1	12
PVPG-100R	Fixture, Red LEXAN® Globe, Guard	100	1	12

UL Listed. CSA Certified LR-95792.

* Guard not included.

VGL

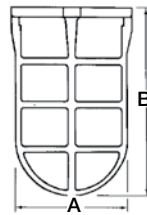


Threaded Glass Globe (VGL)

Threaded Plastic Globe (VGLL)

Cat. No.	A (in.)	B (in.)	C (in.)	D (in.)	E (in.)	I.D. (in.)
VGL-01 series	3 3/8	6 17/32	3 5/16	1	—	2 11/16
VGL-02 series	4 3/8	8 3/8	4 3/16	1	—	3 13/16
VGLL-01	3 17/32	5 15/16	3 3/8	—	7/8	2 7/8
VGLL-02	4 17/32	8 1/4	4 3/8	—	7/8	3 7/8
VGLA-A1	3 17/32	5 15/16	3 3/8	—	7/8	2 7/8
VGLA-R1	3 17/32	5 15/16	3 3/8	—	7/8	2 7/8

VGD, VGW



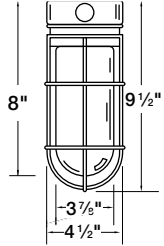
Guards (VGD, VGW)

Cat. No.	A (in.)	B (in.)
VGD-01	4 1/16	7
VGD-02	5 5/16	8 3/8
VGW-01	4 1/16	6 41/64
VGW-02	5 5/16	8 37/64

Vaportight lighting

Indoor/outdoor lighting

Surface fixtures



PBVC-100C

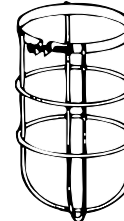
Cat. No.	Description	Max. watts	Packaging	
			Box	Std. ctn.
Fits all 3" and 4" round or octagon boxes				
PBVC-100C*	Fixture, Box and Clear LEXAN® Globe	100	1	12

UL Listed E-77360. CSA Certified LR-95792. LEXAN® is a registered trademark of SABIC Innovative Plastics Company. *Guard sold separately.

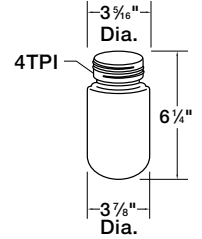
Vaporproof fixture globes and guards replacements



PVG-1A



VG-3 & VG-4



Cat. No.	Description	Packaging	
		Box	Std. ctn.
PVG1-A*	Amber LEXAN® Globe for 100-Watt Fixtures	1	12
PVG-1C*	Clear LEXAN® Globe for 100-Watt Fixtures	1	12
PVG-1R*	Red LEXAN® Globe for 100-Watt Fixtures	1	12
PVG-1W*	White LEXAN® Globe for 100-Watt Fixtures	1	12
VG-3	Guard for 100-Watt Fixtures	1	12
VG-4	Guard for 200-Watt Fixtures	1	6

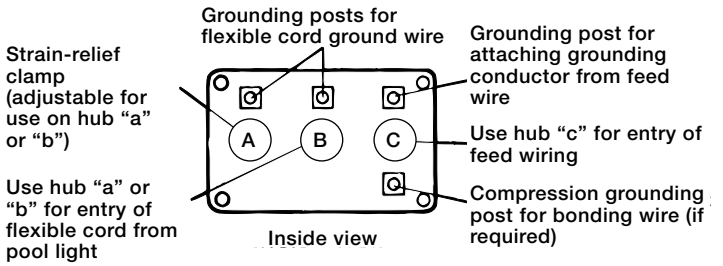
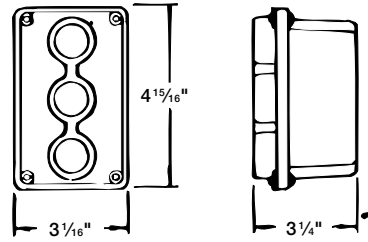
* UL Listed E-77360.

Swimming pool and spa products

Swimming pool junction boxes

Used for making wiring connections to underwater pool lighting, line or low-voltage

- Black LEXAN® cover, die-cast solid brass base
- Supplied with brass closure plugs, four ground screws, sealing gasket and mounting hardware
- 3 1/16" x 4 1/16" x 3 1/4" deep
- Listed in accordance to NEC® Section 680.24



SB11PL
SB14
SB100



SPJ-3



SPJ-5

SPJ Series				
Cat. No.	No. of plugs	Hub size	Color	Std. ctn.
SPJ-3	3	(2) 1/2" and (1) 1"	Black	24
SPJ-5	5	(1) 1/2", (2) 3/4" and (2) 1"	Black	24
SPJ-MB	—	Mounting brackets	Black	24
SPJ-SR	—	Rod	Black	24

SB Series								
Cat. No.	Cubic in.	No. of plugs	Description conduit hub size (in.)			Color	Packaging	
			A	B	C		Box	Std. ctn.
SB11PL	22.0	1	1/2	1/2	1/2	Black	1	10
SB14	22.0	1	3/4	3/4	3/4	Black	1	10
SB100	22.0	1	3/4	1	3/4	Black	1	10

UL Listed E-63648.

Weatherproof.

LEXAN® is a registered trademark of SABIC Innovative Plastics Company.

NEC and National Electrical Code are registered trademarks of the National Fire Protection Association, Inc.

Weatherproof non-metallic covers

Red•Dot® Deck Grommet PRO™

Eliminates the safety hazard of cords plugged in to outdoor post or wall mounted outlets

Now you can provide power for small appliances on outdoor raised decks safely and conveniently with the new Red•Dot® Deck Grommet™ PRO. When not in use, the receptacle remains concealed beneath the deck board, showing only a stylish non-metallic cover. The Deck Grommet™ PRO is a versatile power solution for protecting outdoor receptacles mounted on a raised deck surface.

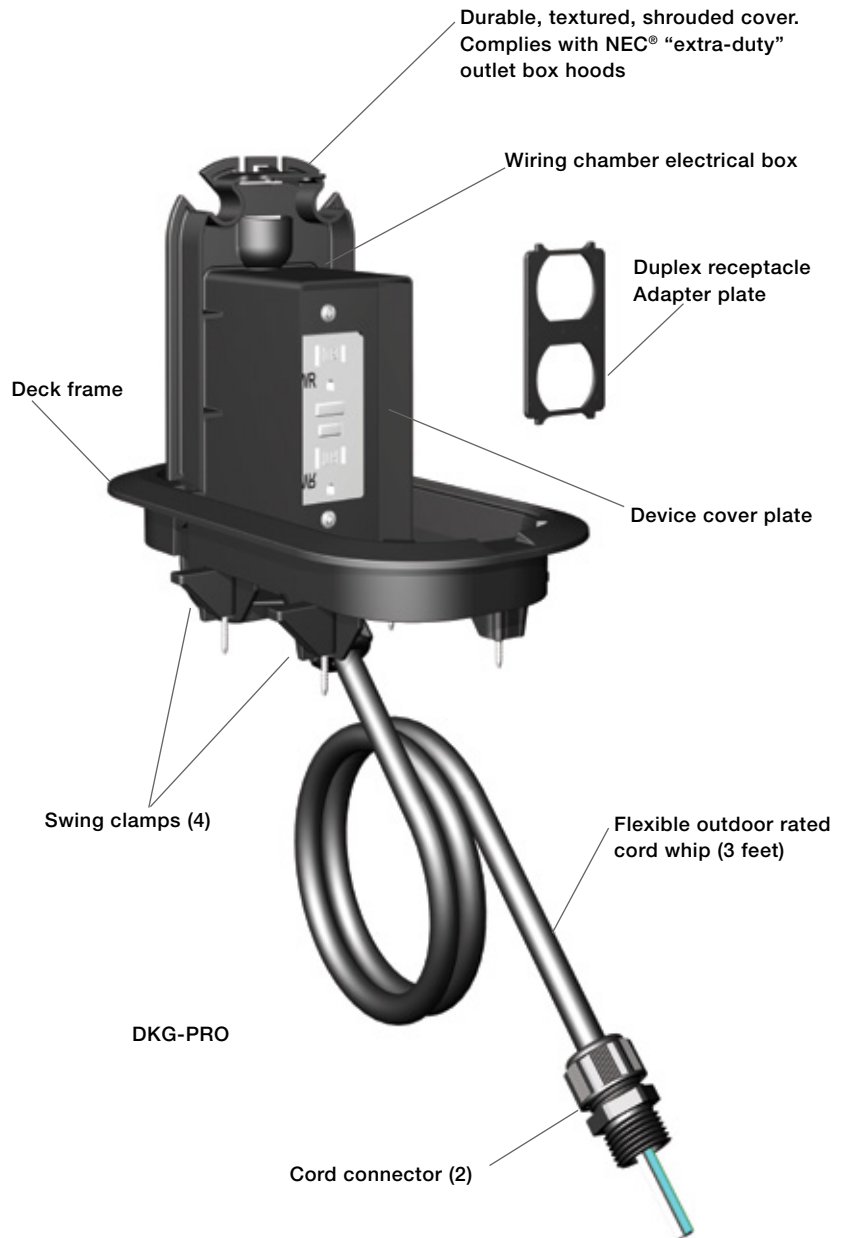
Deck Grommet™ PRO complies with National Electrical Code® (NEC) requirements for installing receptacles in wet locations. The NEMA 3R solution provides protection against falling rain, sleet, snow, and external ice formation. The Deck Grommet™ PRO is the first device to pass the agency testing requirements specifically developed for receptacles installed in a raised deck for “While-In-Use” application.

Features & benefits:

- Complies with NEC® Section 406.9 (B) (1) and 590.4 (D) (2) for unattended in-use plugs in wet locations and “Extra-Duty” outlet box hoods— now required for any installation.
- Ideal for outdoor living spaces and light commercial raised deck applications. Examples: residential recreation areas, outdoor restaurants, hospitality recreation areas, etc.
- Use for easy access to power for small appliances, lighting, water fountain pumps, etc.
- Eliminates the potential safety hazard of power cords draping along the deck surface.
- The power outlet remains recessed below the raised deck whether in use or not.
- Duplex adapter plate provided for use with conventional TR/WR duplex receptacle.

Red Dot® Deck Grommet PRO

Cat. Number	Description	Color	Std. ctn.
DKG	Deck Grommet™	Black	4
DKG-PRO	Deck Grommet™ PRO, tray pack	Black	4



Stainless steel while-in-use box and cover system

Meets the new NEC® and UL® requirements for “extra-duty” outlet box covers while being rated for liquid ingress protection and corrosion resistance in environments that require daily washdown. NSF certified design.

Use of caustic chemicals during washdown and sanitation, pathogen concerns, 24/7 manufacturing environments and increasingly stringent USDA, FDA and HACCP requirements mean one thing—the Food and Beverage Industry has unique electrical power equipment needs that separate them from other industrial plants. Protecting electrical devices in these harsh and demanding environments can be a challenge. National Electrical Code® (NEC®) requirements mandate protection of electrical devices in wet locations even when a cord is plugged into a receptacle. The durability of these products, particularly in high traffic areas, plays a major role with respect to the new NEC® changes calling for more robust designs for outlet covers protecting wiring devices in wet locations.

The Red Dot® Stainless Steel While-In-Use Box and Cover System makes it easier than ever to comply with NEC® requirements for installing receptacles in harsh environments that require washdown maintenance. While-In-Use Covers provide wet location protection for plugs that remain installed for an extended period of time. The Red Dot® Stainless Steel While-In-Use Box and Cover System complies with the new NEC® and UL® requirements for “extra-duty” outlet box covers while being rated for harsh washdown applications.

Features and Benefits

- NEMA 4X rated (while not in use) when installed properly
- NEMA 3R rated
- NSF certified
- cULus Listed
- 316 Stainless Steel construction
- Corrosion resistant
- Smooth, sloped surfaces to allow maximum runoff
- Configurable—a variety of sizes and type of outlets up to a 30 amp receptacle can be used
- Electrical cord splash guard
- Allows ½" to 1" conduit fittings
- Quick access quarter turn latch
- Integral padlock hasp
- 37.3 cubic inch capacity integral conduit body
- Stand-off mounting provides separation from the wall, allowing superior washdown accessibility
- Lift-off, bullet-style hinges allow for easy access and cleaning
- Integral conduit body, electrical box, and while-in-use cover all in one
- Continuous, 1-piece, replaceable UL Listed silicone gasket



Red Dot® stainless steel while-in-use box and cover system



Catalog number	Description	Std. ctn.
SSE	Stainless steel while-in-use box and cover system	1

Markets and End Users

- Food and beverage plants
- Chemical plants
- Water and wastewater treatment
- Pharmaceutical and cosmetics plants
- Petrochemical operations
- Marine and coastal facilities
- Pulp and paper mills



Catalog number index

Catalog Number	Page Number	Catalog Number	Page Number	Catalog Number	Page Number	Catalog Number	Page Number
2CCB	15	B1502SG	10	DCCDV-BR	14	E9G2GTN-CAR	19
2CCB-AL	15	B25D30G	10	DCCDV-WH	14	E9G2SSN	19
2CCB-FS	15	B330BRE-R	27	DCCG	14	IH-1	12
2CCD	15	B37D20G	11	DCCG-BR	14	IH-2	12
2CCD-L	15	B37D30G	11	DCCG-WH	14	IH-LM-1	12
2CCDG	15	B440BRE-R	27	DCCGV	14	IH-LM-2	12
2CCG	15	CCB	15	DCCGV-BR	14	IH-S-1	12
2CCPOX	15	CCB-AL	15	DCCGV-WH	14	IH-S-2	12
2CCS	15	CCB-FS	15	DCCU	13	IH3-1	10
2CCS-L	15	CCD	14	DCCU-BR	13	IH3-1-LM	10
2CCSD	15	CCD-FS	14	DCCU-WH	13	IH3-2	10
2CCSG	15	CCD-L	14	DF415	19	IH3-2-LM	10
2CCSG-L	15	CCDV	14	DIH3-1-LM-BR	10	IH4-1	10
2CCT	15	CCDV-L	14	DIH3-1-LM-WH	10	IH4-1-LM	10
2CCT-1	15	CCG	14	DIH3-1-LM	10	IH4-2	10
2CCTD	15	CCG-FS	14	DIH3-2-LM	10	IH4-2-LM	10
2CCTD-1	15	CCG-L	14	DIH4-1-LM-BR	10	IH5-1	10
2CCTG	15	CCGV	14	DIH4-1-LM-WH	10	IH5-1-LM	10
2CCU	13	CCGV-L	14	DIH4-1-LM	10	IH5-2	10
2CCU-BR	13	CCK	14	DIH4-2-LM	10	IH5-2-LM	10
2CCU-WH	13	CCMB	14	DIH5-1-LM	10	IH6S2-1	10
2CKPL	7	CCPO	14	DIH5-2-LM	10	IH6S2-2	10
2CKPM	7	CCPO-L	14	DKG	49	IHD3-1	11-12
2CKPM-BR	7	CCRB	21	DKG-PRO	49	IHD3-2	11-12
2CKPM-G	7	CCRSB	21	DN415	19	IHD3-3	11-12
2CKPM-W	7	CCS	14	DPLG-1	11	IHD4-1	11
2CKU	6	CCS-L	14	DPLG-1-BR	11	IHD4-2	11
2IH3	12	CCSSO	14	DPLG-1-WH	11	IHE	11
2IH3-1	10	CCSV	14	DPLG-2	11	IHEF2-1	11
2IH3-2	10	CCSV-L	14	DS-47	20	IHEF2-2	11
2IH4	12	CCSV-TL	14	DS-47-BR	20	IHEF6S2-1	11
2IH4-1	10	CCT	14	DS-47-WH	20	IHEF6S2-2	11
2IH4-2	10	CCT-1	14	DS-47B	20	K780BR	25
2IH5	12	CCT-1-20	14	DS-48	20	K805BR-8	32
2IH5-1	10	CCU	13	DS-48-BR	20	K812BR	30
2IH5-2	10	CKLSVU	6	DS-48-WH	20	K822BR	30
2IH5S2	12	CKMU	5	DS-48B	20	K831BR	31
2IH5S2-1	10	CKMUV	5	E365D-CAR	17	K851BR	31
2IH5S2-2	10	CKPL	7	E365DW-CAR	17	K852BR	31
2IH7	12	CKPM	7	E381D-CAR	17	K861BR	32
2IH7-1	10	CKPM-BR	7	E381DW-CAR	17	L-800	25
2IH7-2	10	CKPM-G	7	E382DE	17	LC-21	22
2IH7S2	12	CKPM-W	7	E382DEW	17	LG-80	25
2IH7S2-1	10	CKPS	7	E9802CN-CAR	19	LM	7
2IH7S2-2	10	CKPS-BR	7	E980CM-CAR	18	LX-1	44-45
2IHD5	12	CKPS-G	7	E980CN-CAR	18	LX-2	44-45
2IHD5-1	11	CKPS-W	7	E98DHGN-CAR	19	PBVC-100C	47
2IHD5-2	11	CKSUV	5	E98G20N-CAR	18	PLG-1-RD	11
2IHD5-3	11	CS841BR	31	E98G30N-CAR	18	PLG-2-RD	11
2IHD7S2-3	11	D2IH3-1	10	E98G5FN-CAR	18	PLG-3-RD	11
2IHE	11	DCCB-AL	15	E98GDRN-CAR	18	PVG-1C	47
3CCB	15	DCCD	14	E98GFCN-CAR	18	PVG-1R	47
3CCB-AL	15	DCCD-BR	14	E98GHGN-CAR	19	PVG-1W	47
3IHD7	12	DCCD-WH	14	E98SRCN-CAR	18	PVG1-A	47
AD11-2	26	DCCDSO	14	E98SSCN-CAR	18	PVP-100C	46
B13030G	10	DCCDSO-BR	14	E98TSCN-CAR	18	PVPG-100B	46
B13030G	10	DCCDSO-WH	14	E9G2DDN-CAR	19	PVPG-100R	46
B1501SGR	10	DCCDV	14	E9G2DSN-CAR	19	R104	15

Catalog number index

Catalog Number	Page Number	Catalog Number	Page Number	Catalog Number	Page Number
S-12	22-23	VGL-075	27	WR281-CBR	15
S-47	20-21, 23	VGLA-01	44	WR81-CN	14
S-48	20-21, 23	VGLA-A1	46	WRH80-C	14
S121E-R	11	VGLA-R1	44, 46		
S130E	11, 20-21, 23	VGLB-01	44		
S201E	22	VGLG-01	44		
S203BRE	22	VGLH-01	44		
S203E-R	22	VGLH-02	44		
S203WHE	22	VGLL-01	44, 46		
S211BRE	22	VGLL-02	44, 46		
S211E	22-23	VGLR-01	44		
S211WHE	22	VGLR-02	44		
S213BRE-9R	22	VGW-01	44, 46		
S213E-15R	22-23	VGW-02	44, 46		
S213WHE-9R	22	VK-11	43		
S340BRE-R	15	VK-12	43		
S340E-20R	15	VK-21	43		
S340WHE-R	15	VK-22	43		
S47CFB	20	VKG-11	43, 45		
S48CFB	20	VKG-11-C	43, 45		
S500BRE-RL	25	VKG-12	43, 45		
S500E-RL	25	VKG-12-C	43, 45		
S500EG	25	VKG-21	43, 45		
S500WHE-RL	25	VKG-21-C	43, 45		
S513E-RL	25	VKG-22	43, 45		
S621E	21-22	VKG-22-C	43, 45		
S626E-SR	26	VW-01	44		
SB100	48	VW-02	44		
SB11PL	48	VWG-01	44-45		
SB14	48	VWG-01-C	44-45		
SE-48	11, 20-21, 23	VWG-02	44-45		
SJ-11	22-23	VWG-02-C	44-45		
SJ-21	22-23	VX-11	43		
SJ-31	22-23	VX-12	43		
SJ-B	23	VX-21	43		
SPJ-3	48	VX-22	43		
SPJ-5	48	VXG-11	43, 45		
SPJ-MB	48	VXG-11-C	43, 45		
SPJ-SR	48	VXG-12	43, 45		
SS-B	21, 23	VXG-12-C	43, 45		
SSE	51	VXG-21	43, 45		
SW1	14	VXG-21-C	43, 45		
SW2	14	VXG-22	45		
SW20-1/710	14	VXG-22-C	43, 45		
SW20-2	14	VXW-11	44		
V-B	44	VXW-12	44		
VA-01	43	VXW-21	44		
VA-02	43	VXW-22	44		
VAG-01	43, 45	VXWG-11	44-45		
VAG-01-C	43, 45	VXWG-11-C	44-45		
VAG-02	43, 45	VXWG-12	44-45		
VAG-02-C	43, 45	VXWG-12-C	44-45		
VG-3	47	VXWG-21	44-45		
VG-4	47	VXWG-21-C	44-45		
VGD-01	44, 46	VXWG-22	44-45		
VGD-02	44, 46	VXWG-22-C	44-45		
VGL-01	27, 44, 46	WH90	26		
VGL-02	44, 46	WR281-C-WH	15		

Industry codes and specifications

All Thomas & Betts products meet or exceed applicable industry specifications or codes which are detailed in the appropriate T&B product literature.

